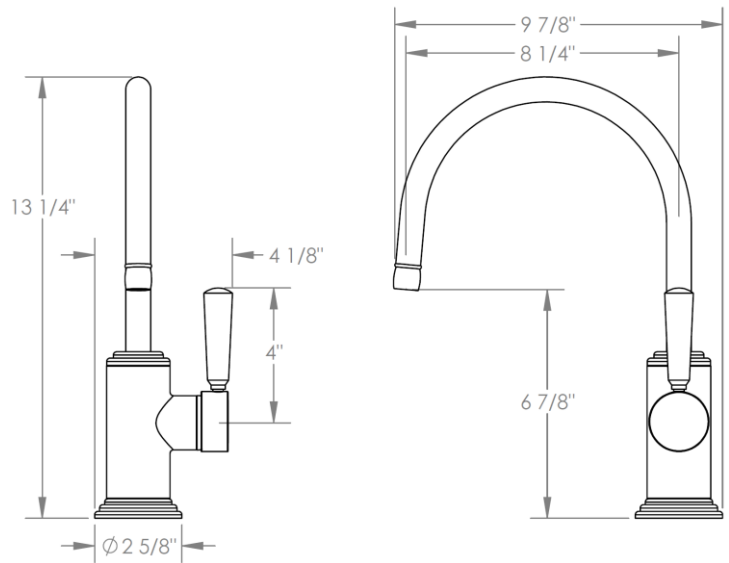


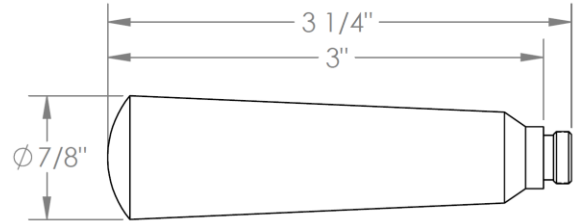
321-7.3-
Deck Mounted 1 Hole Kitchen Faucet
Flow Rate: 1.75 GPM



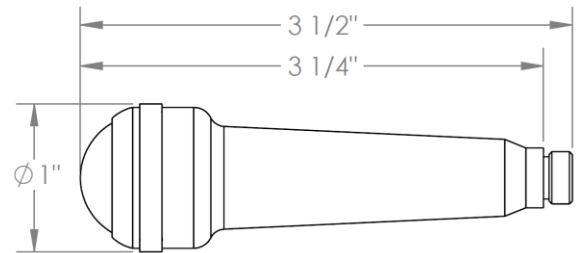
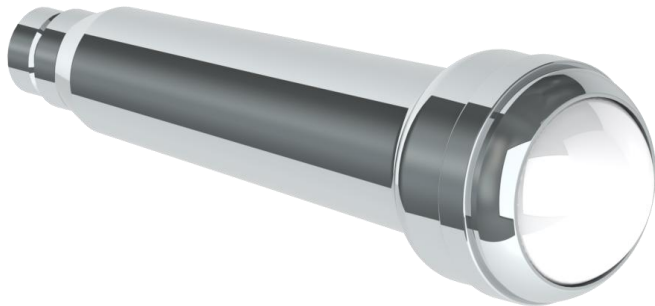
Meets the applicable requirements of ASME A112.18.1-2005/CSA B125.1-05, entitled "Plumbing Supply Fittings"

HANDLE TRIM OPTIONS

S1A - NOTTINGHAM



S2 - WALTHAM



SWA - DARIEN

