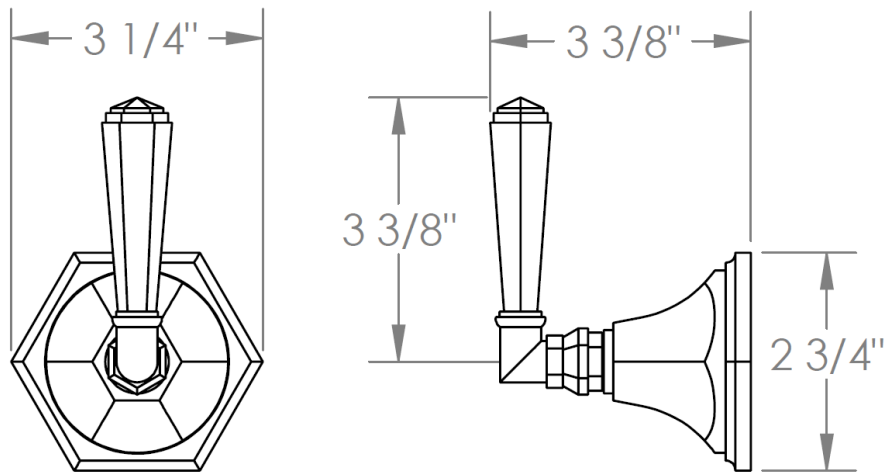


314-WTR-__

Wall Mounted Trim Kit

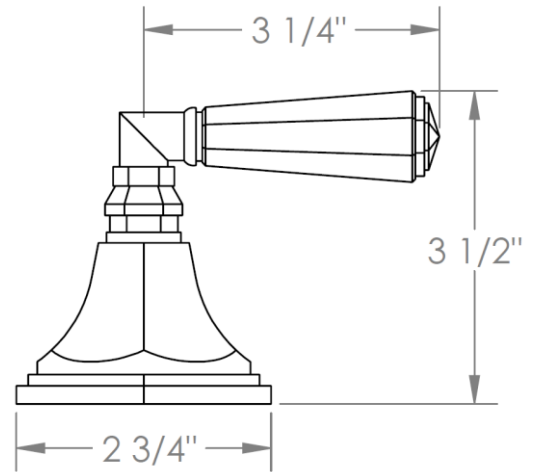
Includes Alignment Kit

Requires SS-TS200-C, SS-TS200-H, SS-TS150-C, SS-TS150-H,
SS-WD2, SS-WD3, SS-VCWD2 or SS-VCVD3 concealed rough

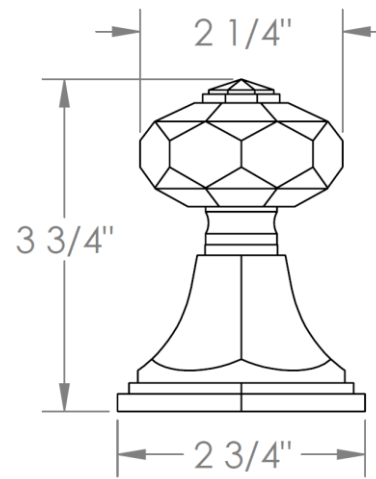


HANDLE TRIM OPTIONS

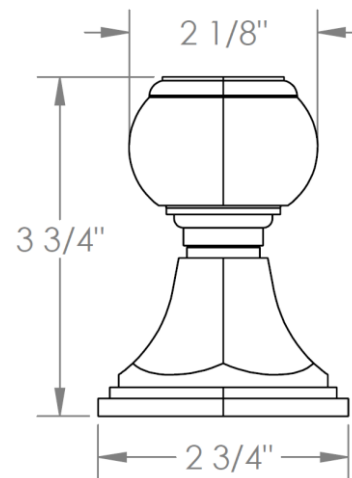
CRY4 – ROOSEVELT



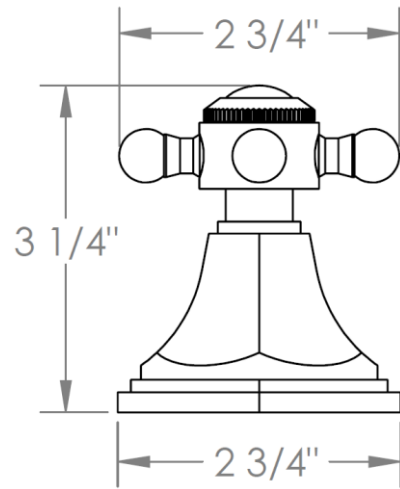
CRY5 – MARMONT



T6 – NEWTON



XX – SHETFIELD



YY – NEWPORT

