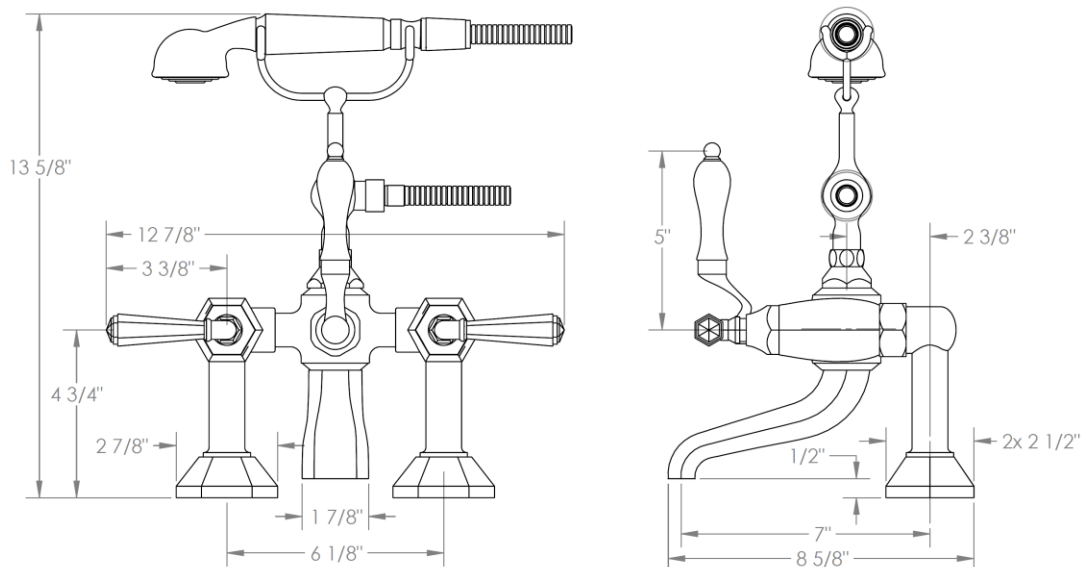


**314-8.2-\_\_**

Deck Mounted Exposed Bath Set with Hand Shower

Hand Shower Flow Rate: 1.75 GPM

Note: Some building codes require remote pressure balance valves for anti-scald



Meets the applicable requirements of ASME A112.18.1-2005/CSA B125.1-05, entitled "Plumbing Supply Fittings"

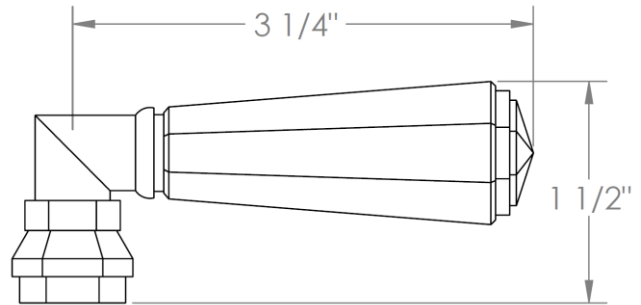
**WATERMARK DESIGNS**

**11/12/2018**

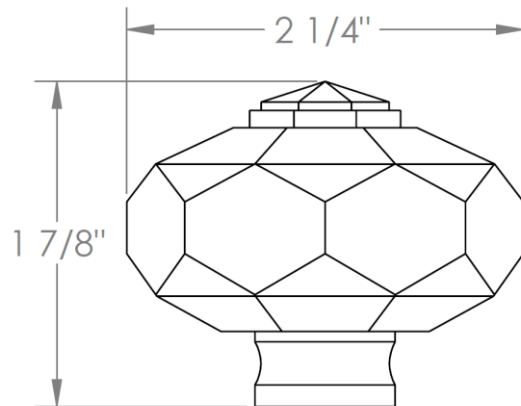
350 Dewitt Ave Brooklyn NY 11207 USA T 718 257 2800 F 718 257 2144 info@watermark-designs.com

**HANDLE TRIM OPTIONS**

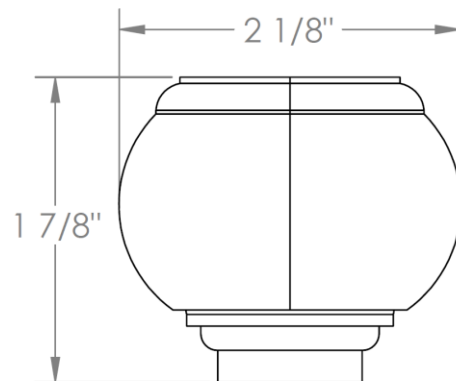
**CRY4 – ROOSEVELT**



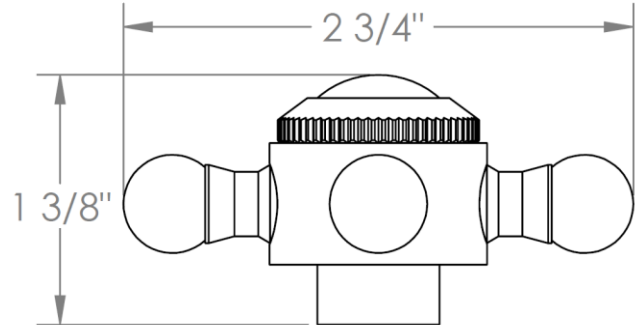
**CRY5 – MARMONT**



**T6 – NEWTON**



XX – SHETFIELD



YY – NEWPORT

