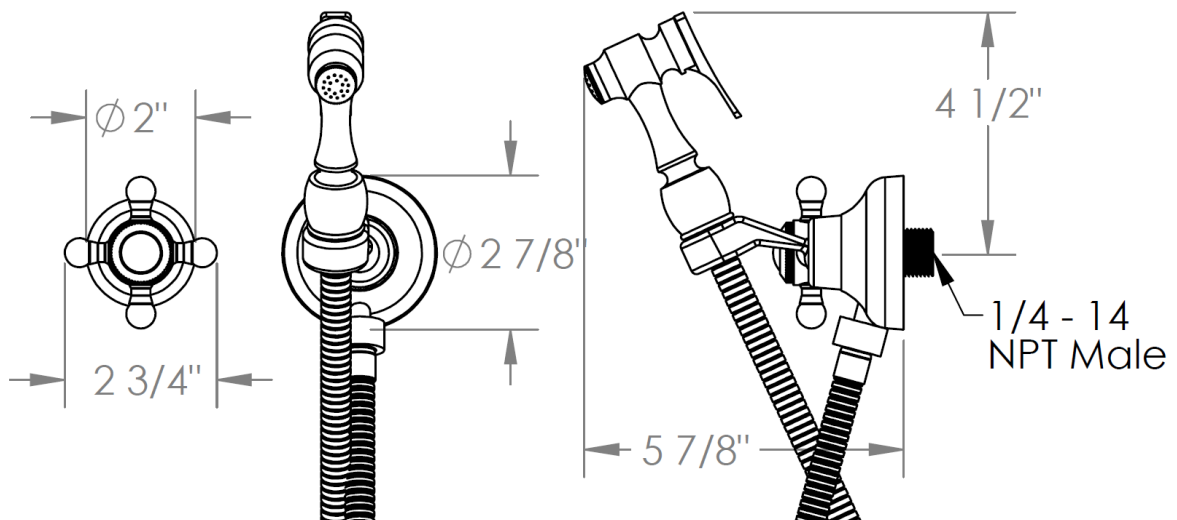


312-4.4-V

Hydroprogressive Wall Bidet
For use with SS-SHV1.2 concealed rough



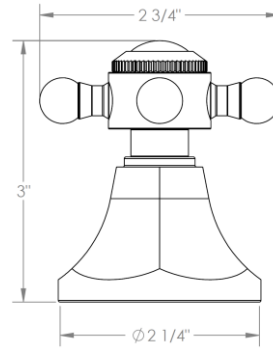
Meets the applicable requirements of ASME A112.18.1-2005/CSA B125.1-05, entitled "Plumbing Supply Fittings"

WATERMARK DESIGNS 8/29/2018

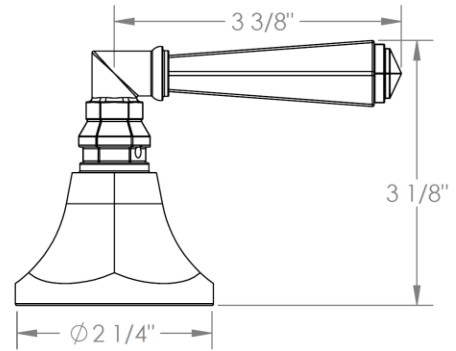
350 Dewitt Ave Brooklyn NY 11207 USA T 718 257 2800 F 718 257 2144 info@watermark-designs.com

Gramercy Handle Trim Options

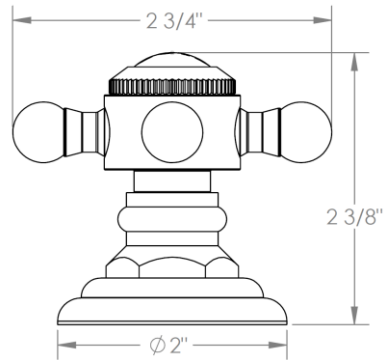
X – OXFORD



Y – LYONS



V – WALES



Y2 – WILLIAMS

