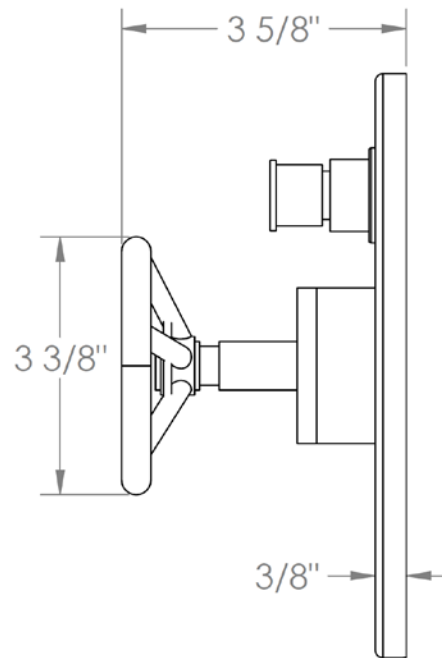
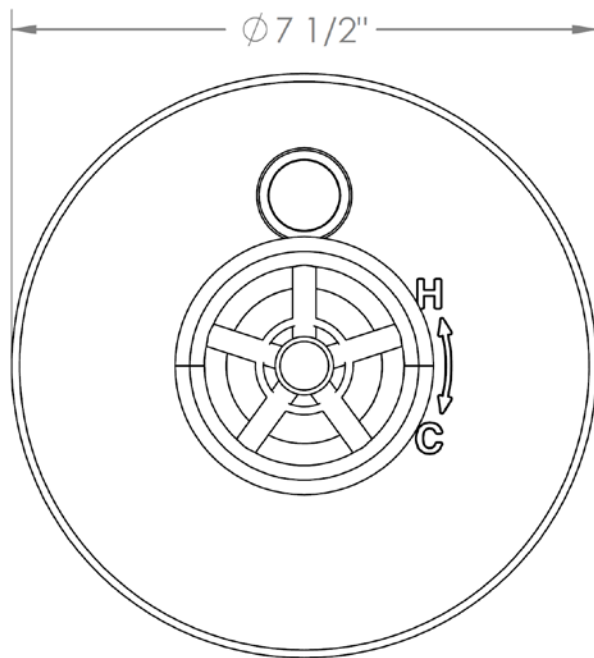


**31-P90-BK**

Wall Mounted Shower Trim  
Requires SS-PB85 Pressure Balanced  
Valve with Integral Stops and Diverter



Meets the applicable requirements of ASME A112.18.1-2005/CSA B125.1-05, entitled "Plumbing Supply Fittings"

**WATERMARK DESIGNS 2/22/2018**

350 Dewitt Ave Brooklyn NY 11207 USA T 718 257 2800 F 718 257 2144 info@watermark-designs.com