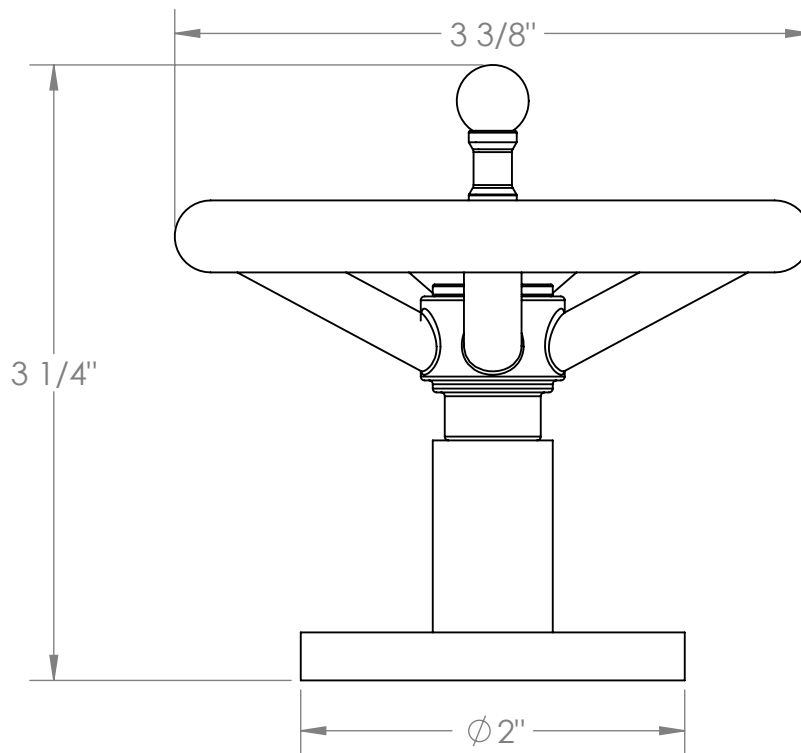


# 31-DT-BKA.1

Trim for Deck Mounted Valve



Meets the applicable requirements of ASME A112.18.1-2005/CSA B125.1-05, entitled "Plumbing Supply Fittings"