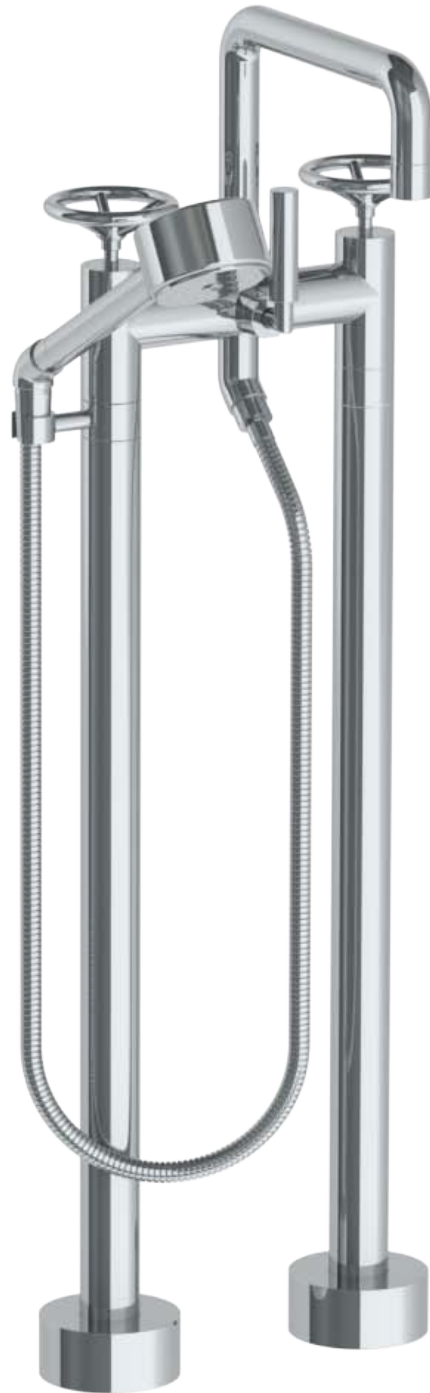


31-8.26.3V-BK

Floor Standing Bath Set with Volume Hand Shower

Requires Floor Mount Rough SS-FL8.3

Hand Shower Flow Rate: 2.0 GPM



Meets the applicable requirements of ASME A112.18.1-2005/CSA B125.1-05, entitled "Plumbing Supply Fittings"

WATERMARK DESIGNS

2/22/2018

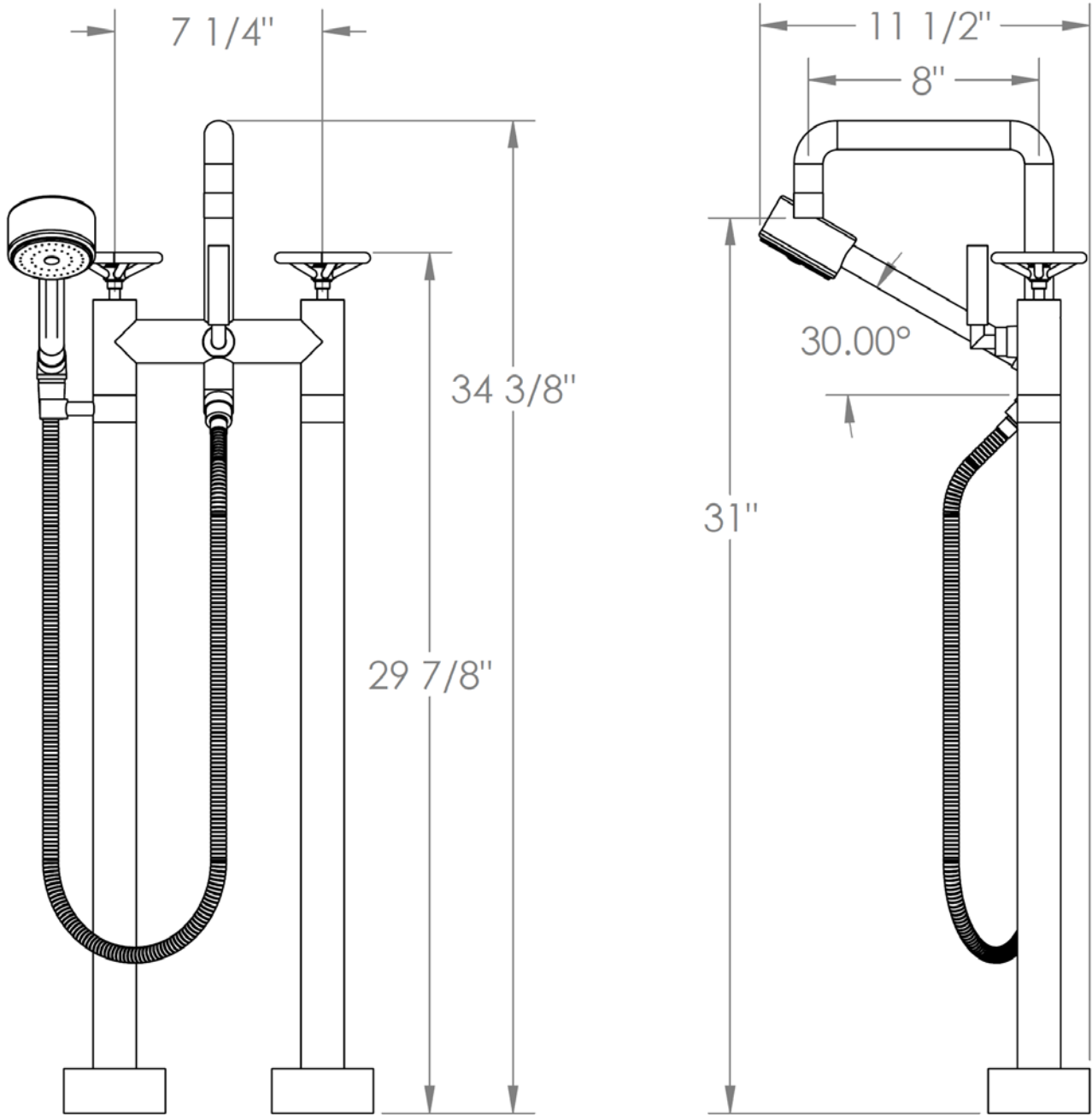
350 Dewitt Ave Brooklyn NY 11207 USA T 718 257 2800 F 718 257 2144 info@watermark-designs.com

31-8.26.3V-BK

Floor Standing Bath Set with Volume Hand Shower

Requires Floor Mount Rough SS-FL8.3

Hand Shower Flow Rate: 2.0 GPM



Meets the applicable requirements of ASME A112.18.1-2005/CSA B125.1-05, entitled "Plumbing Supply Fittings"