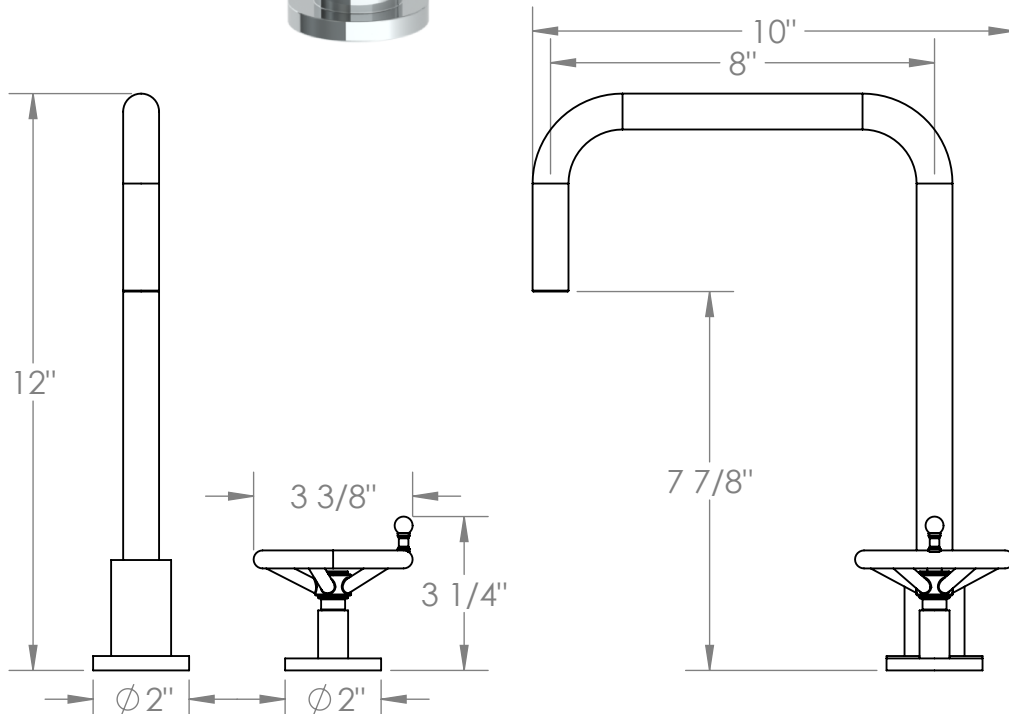


31-7.1.3-BKA.1

Deck Mounted 2 Hole Kitchen Set

Flow Rate: 1.75 GPM



Meets the applicable requirements of ASME A12.18.1-2005/CSA B125.1-05, entitled "Plumbing Supply Fittings"

WATERMARK DESIGNS 4/24/2020

350 Dewitt Ave Brooklyn NY 11207 USA T 718 257 2800 F 718 257 2144 info@watermark-designs.com