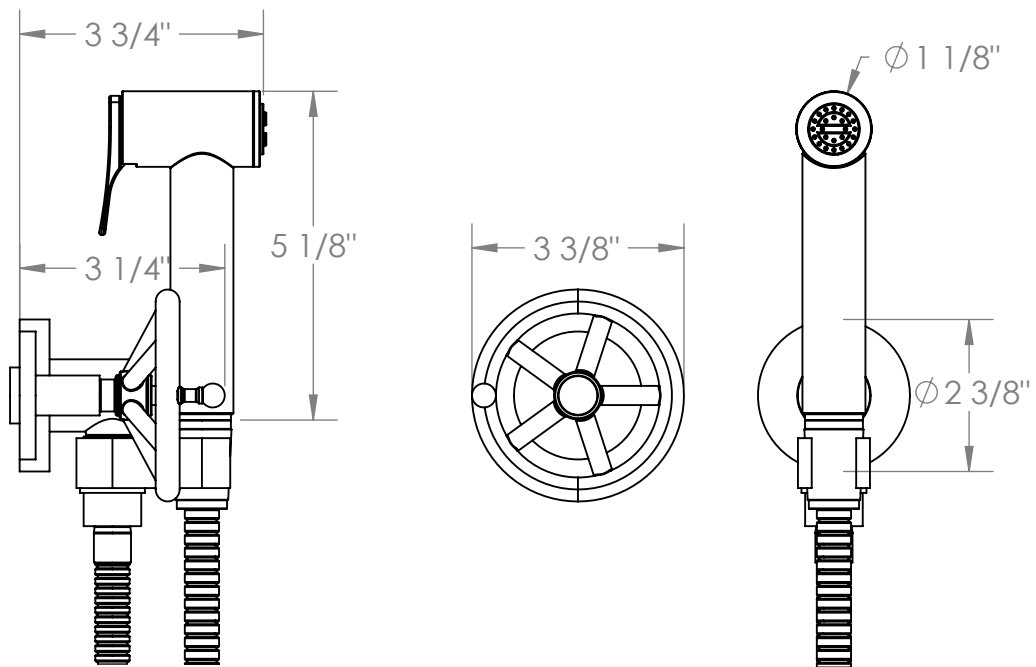


### 31-4.4-BKA.1

#### Single Control Bidet Spray Set



Meets the applicable requirements of ASME A112.18.1-2005/CSA B125.1-05, entitled "Plumbing Supply Fittings"