

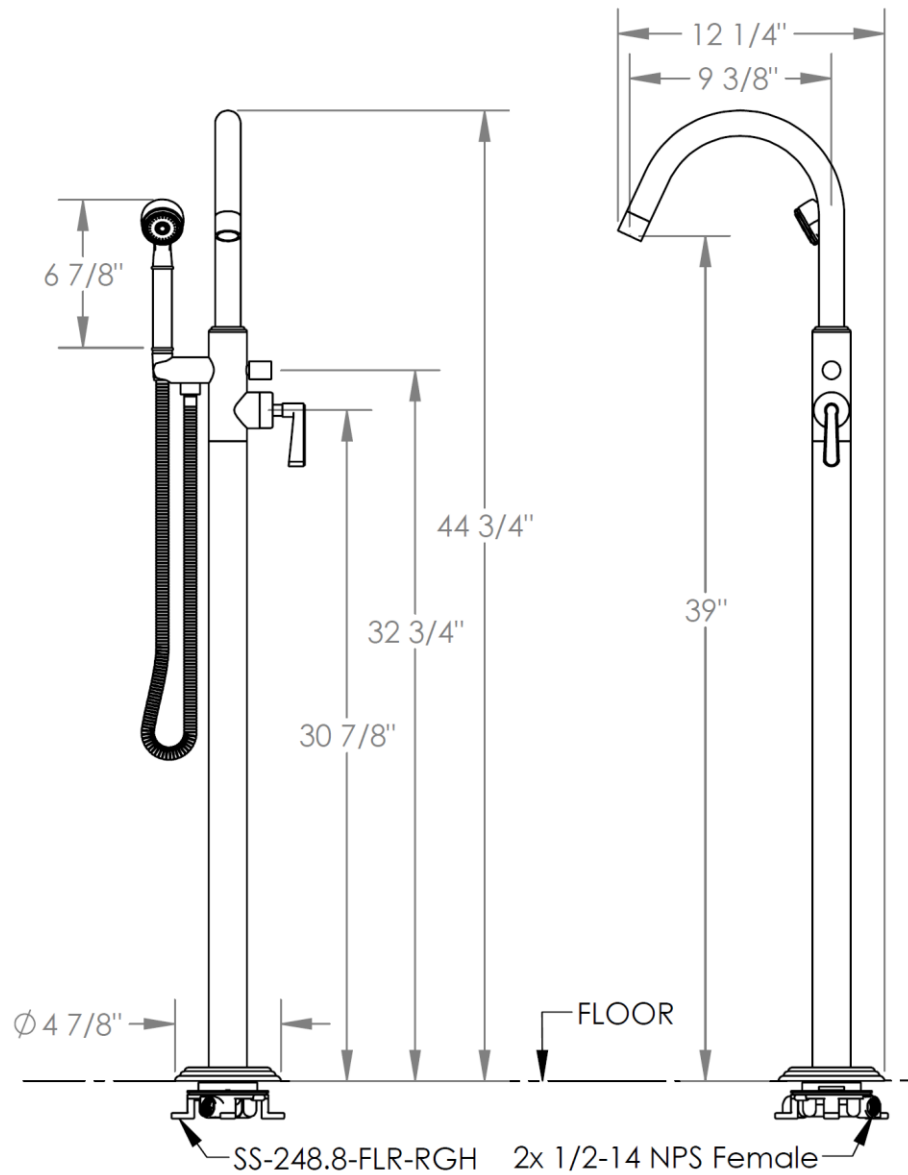
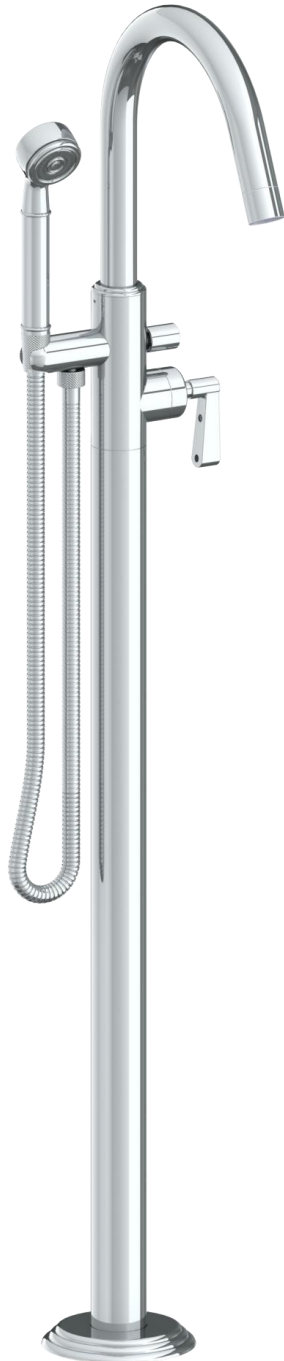
30-8.8-__

Floor Standing Single Hole Bath Set with Hand Shower

Hand Shower Flow Rate: 1.75 GPM

Requires SS-248.8-FLR-RGH concealed rough

Note: Some building codes require remote pressure balance valves for anti-scald



Meets the applicable requirements of ASME A112.18.1-2005/CSA B125.1-05, entitled "Plumbing Supply Fittings"

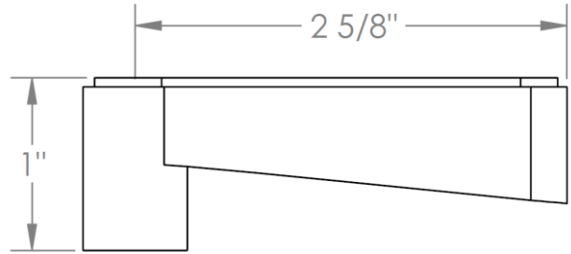
WATERMARK DESIGNS

10/18/2018

350 Dewitt Ave Brooklyn NY 11207 USA T 718 257 2800 F 718 257 2144 info@watermark-designs.com

HANDLE TRIM OPTIONS

TR24 – NORWOOD



TR25 - UNION

