

**30-2-AUT-★**

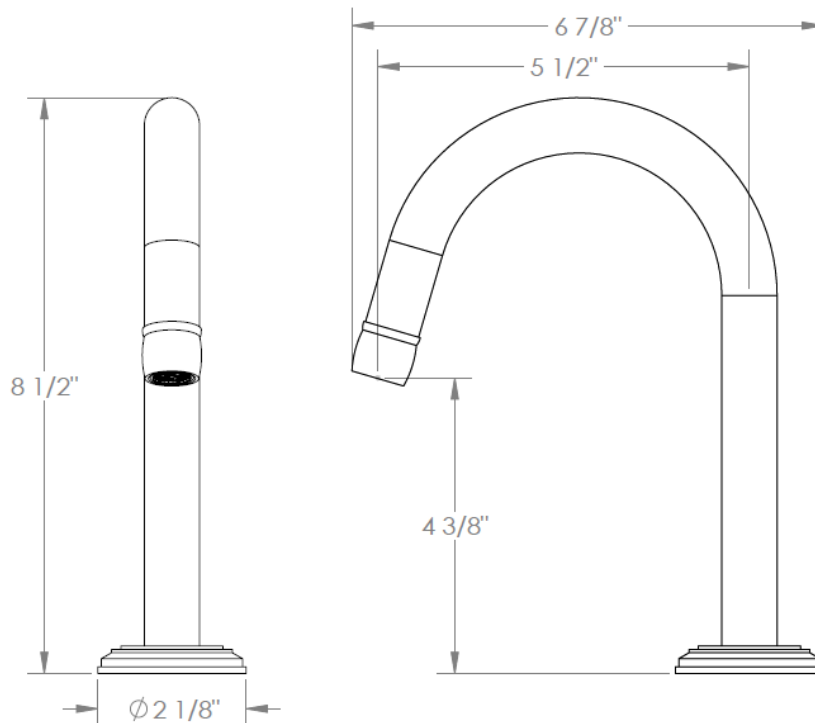
Deck Mounted Automatic Faucet

★ See next page for function options

Not temperature control – water must be premixed

Flow Rate: 1.2 GPM

Note: Sensor box may be installed a maximum of 12" linear from center of inlet.



**WATERMARK DESIGNS 4/28/2020**

# AUT1.3-D-RGH

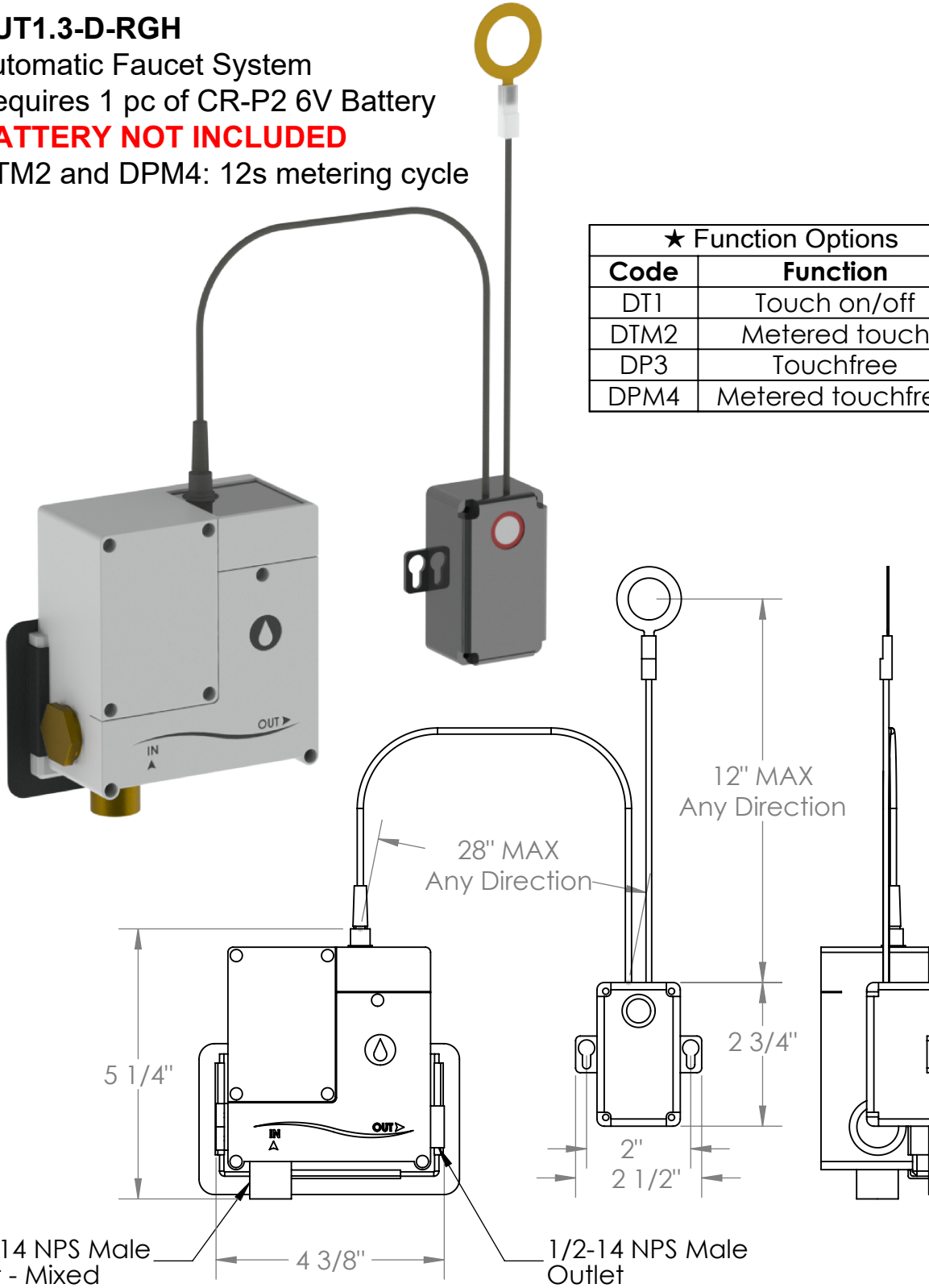
Automatic Faucet System

Requires 1 pc of CR-P2 6V Battery

**BATTERY NOT INCLUDED**

DTM2 and DPM4: 12s metering cycle

★ Function Options	
Code	Function
DT1	Touch on/off
DTM2	Metered touch
DP3	Touchfree
DPM4	Metered touchfree



Meets the applicable requirements of ASME A12.18.1-2005/CSA B125.1-05, entitled "Plumbing Supply Fittings"