

# WATERMARK

BROOKLYN, NEW YORK

## Transitional 29-HAF.1 Wall Mounted Showerhead

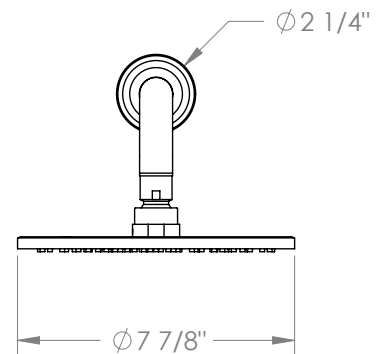
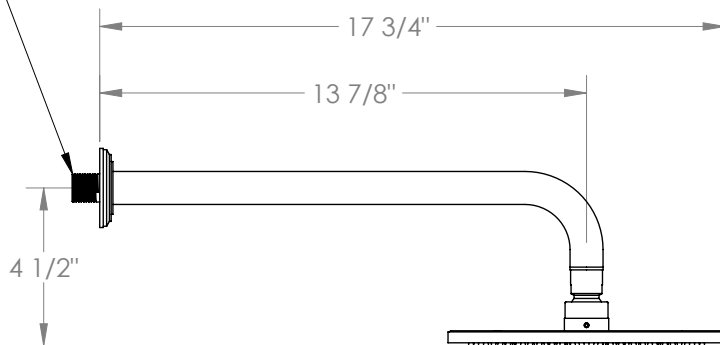


- Flow Rate: 1.75 GPM at 80 psi
- Self-Cleaning Silicone Jets
- Includes: SS-703TRAF and SH-TIT50.
- Professional Installation Required.

Available in all finishes shown on the [Watermark Designs website](#)



1/2"-14 NPT MALE



Meets the applicable requirements of ASME A112.18.1-2005/CSA B125.1-05, entitled "Plumbing Supply Fittings".

Watermark Designs reserves the right to make revisions without notice to product specifications. All product dimensions are nominal.

06/2023

350 Dewitt Ave. Brooklyn, NY 11207 USA | T: 1 718 257 2800 | F: 1 718 257 2144 | [customerservice@watermark-designs.com](mailto:customerservice@watermark-designs.com)