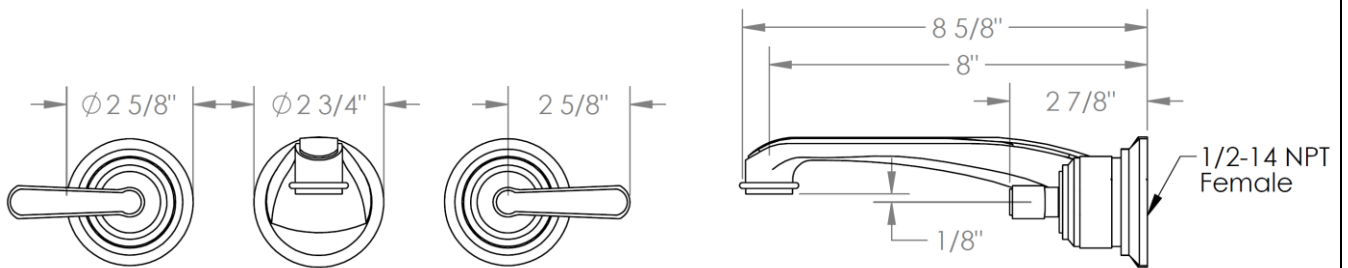
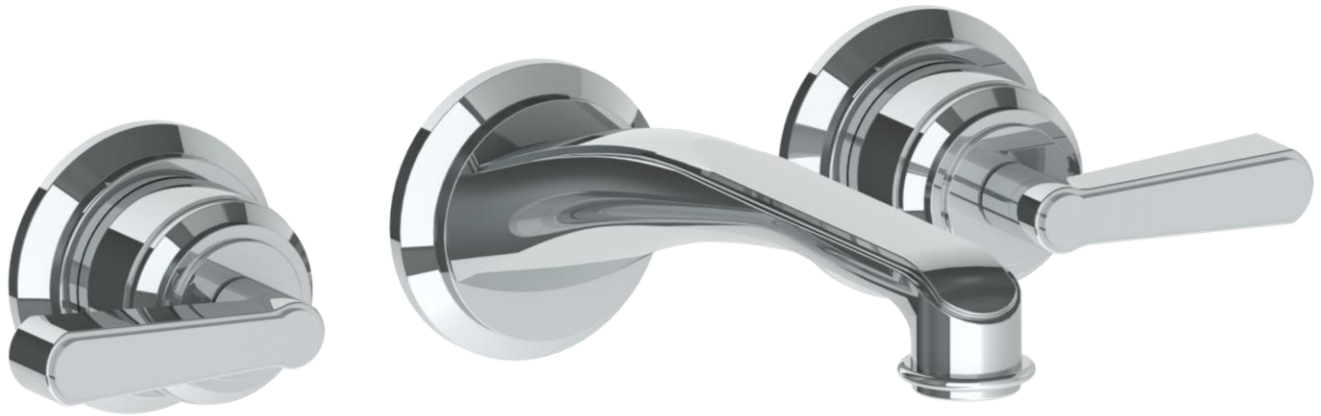


**29-2.2-\_\_**

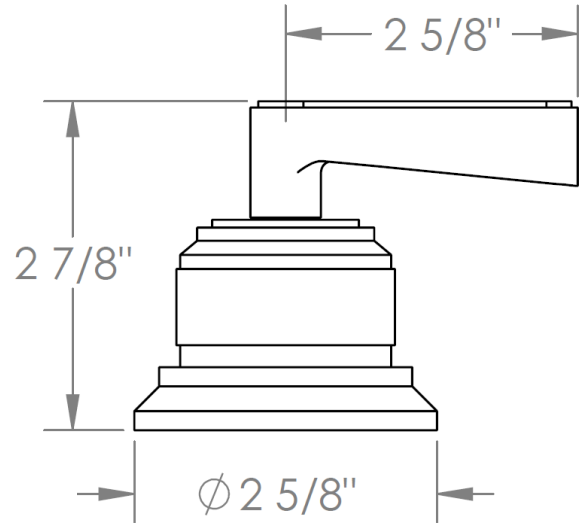
Wall Mounted 3 Hole Lavatory Set  
Requires SS-THV2.2 concealed rough  
Flow Rate: 1.2 GPM



Meets the applicable requirements of ASME A112.18.1-2005/CSA B125.1-05, entitled "Plumbing Supply Fittings"

HANDLE TRIM OPTIONS

TR14 - BEEKMAN



TR15 - GOTHAM

