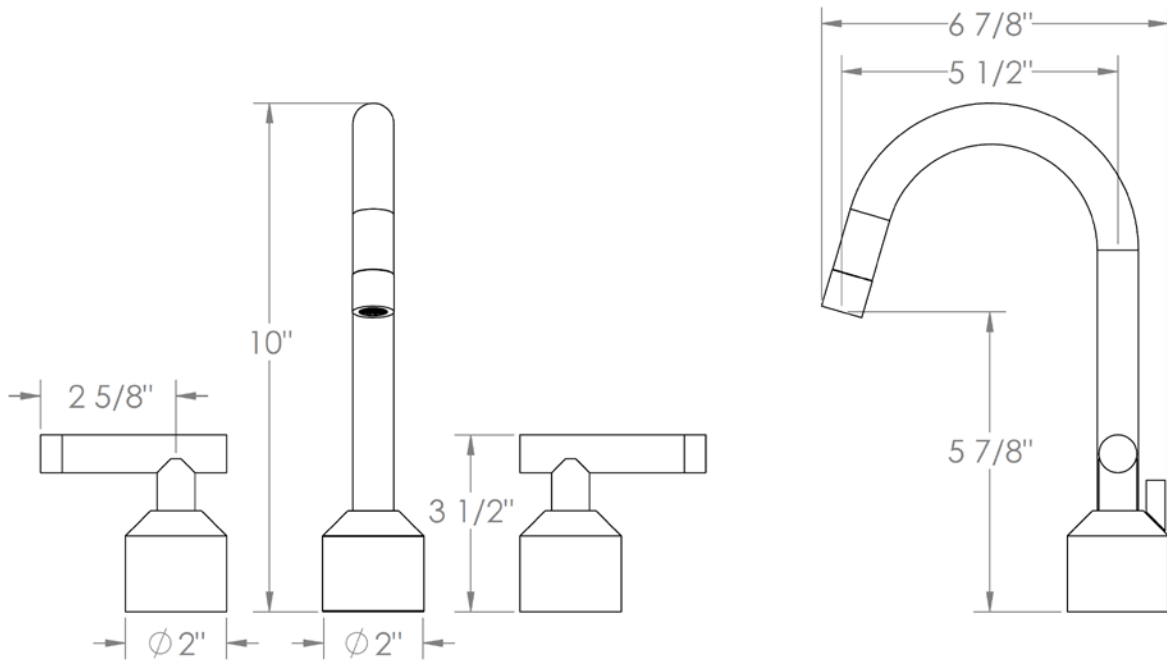


25-2G-IN14

Deck Mounted 3 Hole Lavatory Set

Includes MPU7 pop-up drain

Flow Rate: 1.2 GPM



Meets the applicable requirements of ASME A112.18.1-2005/CSA B125.1-05, entitled "Plumbing Supply Fittings"