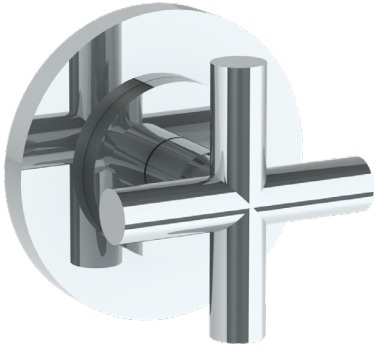


WATERMARK

BROOKLYN, NEW YORK

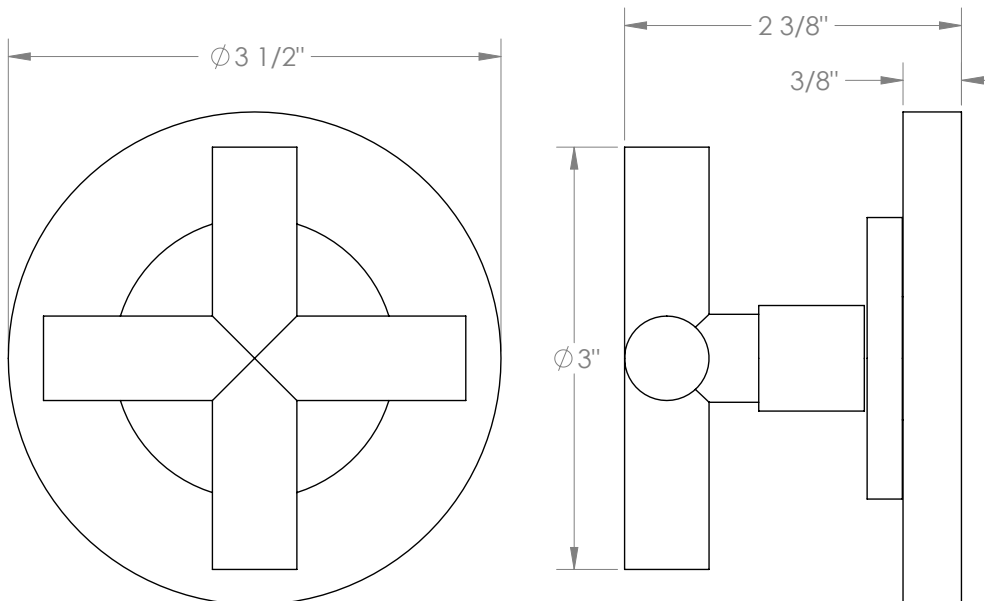
Loft 2.0
23-WTRTP-L9

Wall Mounted Trim with Faceplate



- For use with the: SS-TS200-C, SS-TS200-H, SS-TS150-C, SS-TS150-H, SS-WD2, SS-WD3, SS-VCWD2, or SS-VCWD3 concealed rough
- Professional Installation Required

Available in all finishes shown on the [Watermark Designs website](#)



Meets the applicable requirements of ASME A112.18.1-2005/CSA B125.1-05, entitled "Plumbing Supply Fittings".

Watermark Designs reserves the right to make revisions without notice to produce specifications. All product dimensions are nominal.

03/2022

350 Dewitt Ave. Brooklyn, NY 11207 USA | T: 1 718 257 2800 | F: 1 718 257 2144 | customerservice@watermark-designs.com