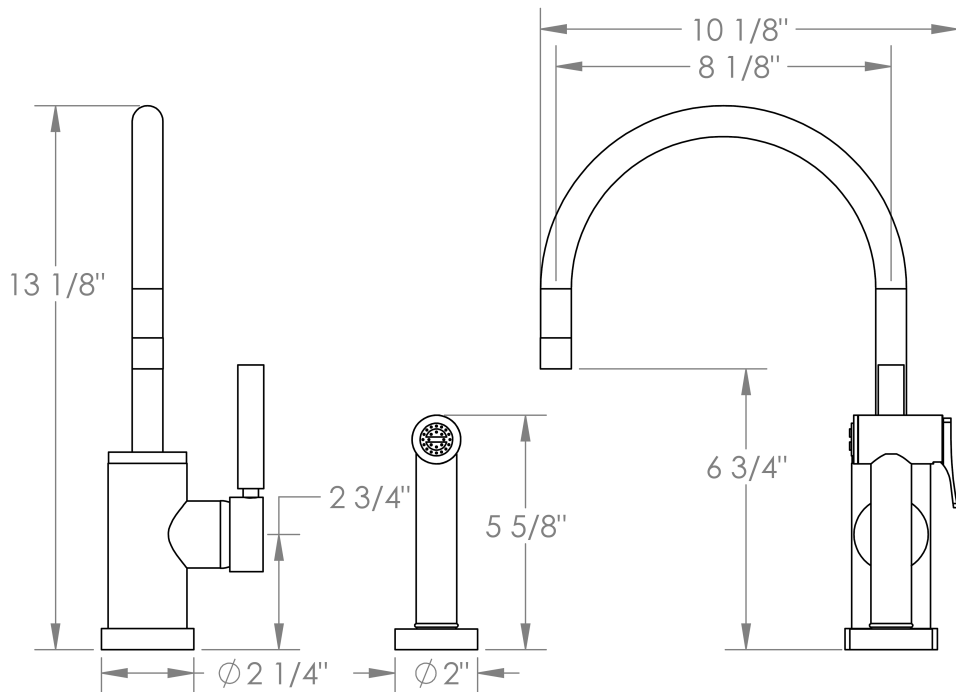


**23-7.4G-L8**

Single Lever Monoblock with Side Spray  
Flow Rate: 1.75 GPM



Meets the applicable requirements of ASME A112.18.1-2005/CSA B125.1-05, entitled "Plumbing Supply Fittings"