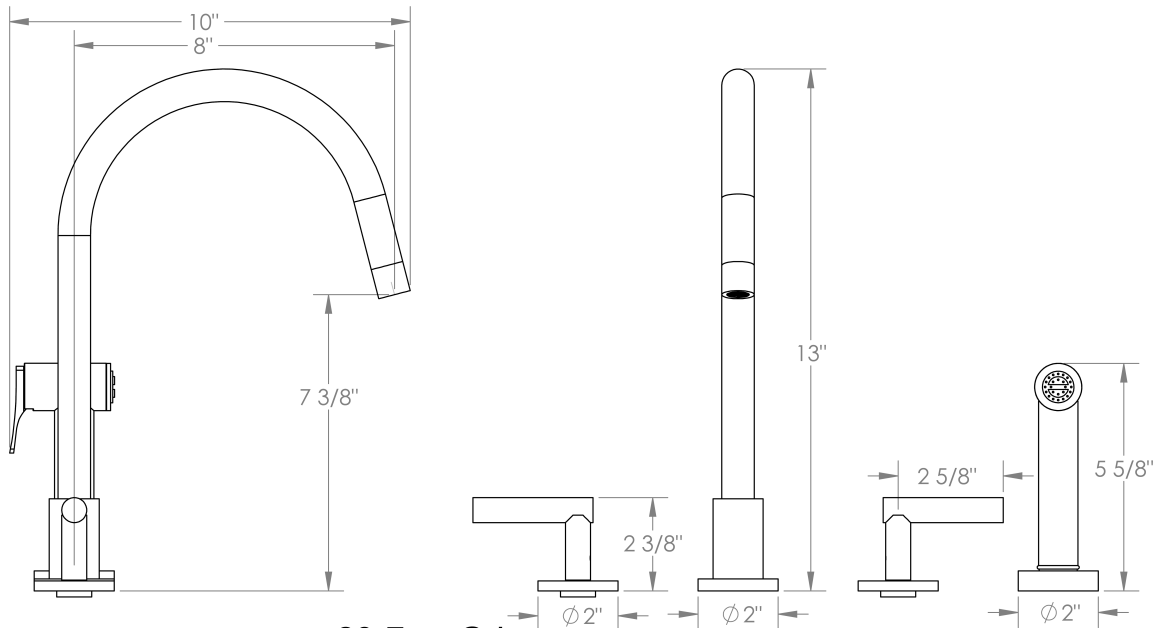


23-7.1G-L8

Two Handle Kitchen Faucet with Side Spray
Flow Rate: 1.75 GPM



Meets the applicable requirements of ASME A112.18.1-2005/CSA B125.1-05, entitled "Plumbing Supply Fittings"