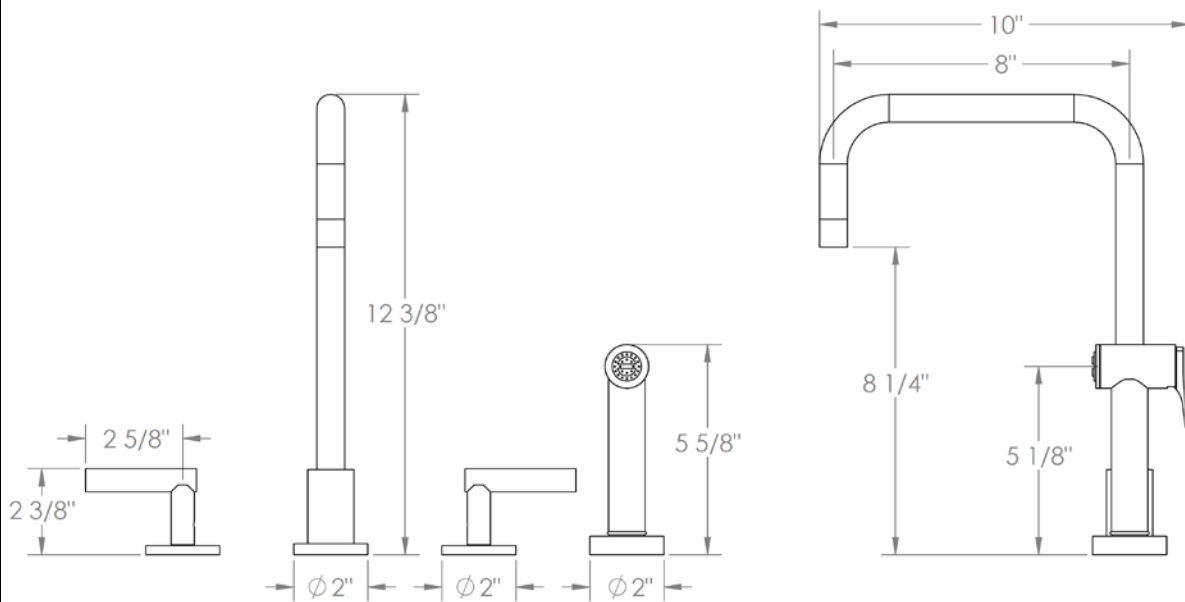


**23-7.1-L8**

Deck Mounted 4 Hole Kitchen Set  
Includes Side Spray  
Faucet Flow Rate: 1.75GPM



Meets the applicable requirements of ASME A112.18.1-2005/CSA B125.1-05, entitled "Plumbing Supply Fittings"

**WATERMARK DESIGNS 2/12/2018**

350 Dewitt Ave Brooklyn NY 11207 USA T 718 257 2800 F 718 257 2144 info@watermark-designs.com