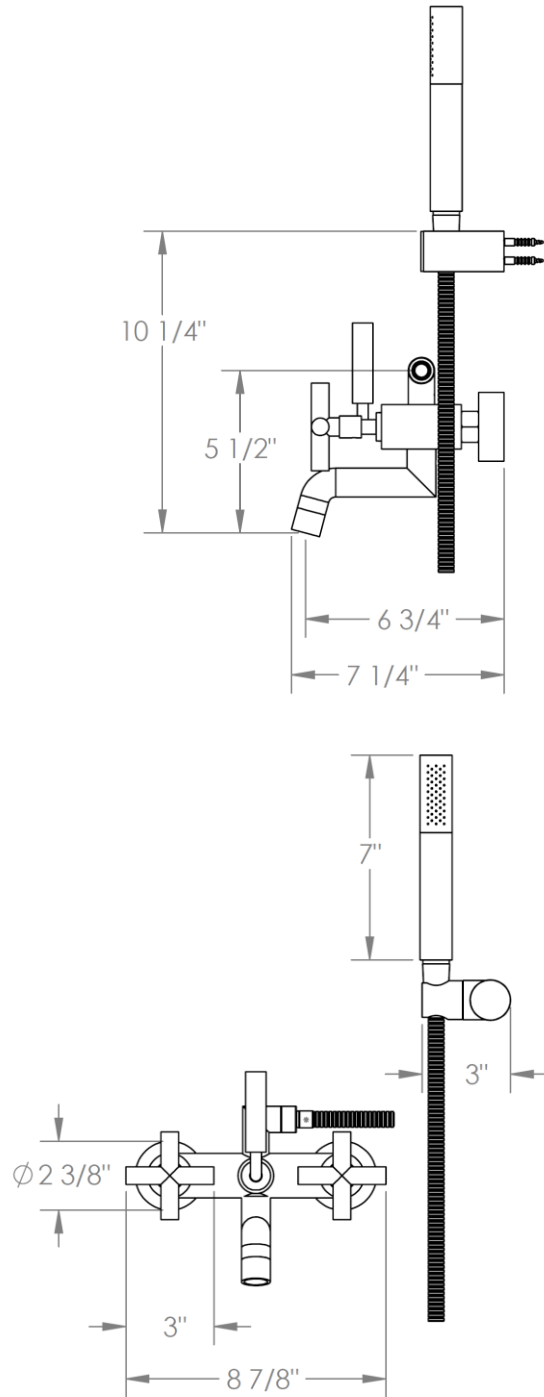


23-5.2-L9

Wall Mounted Bath Set with Hand Shower



Meets the applicable requirements of ASME A112.18.1-2005/CSA B125.1-05, entitled "Plumbing Supply Fittings"