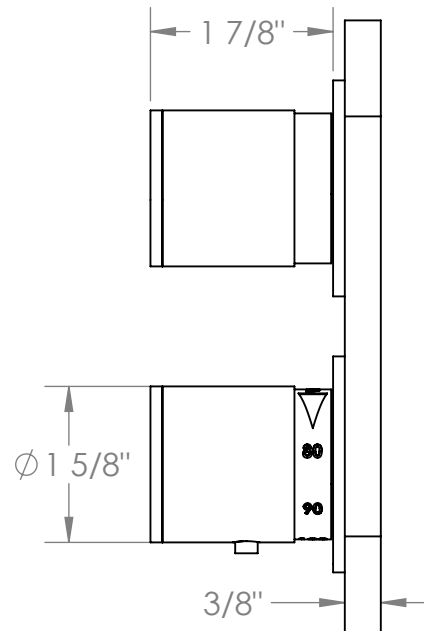
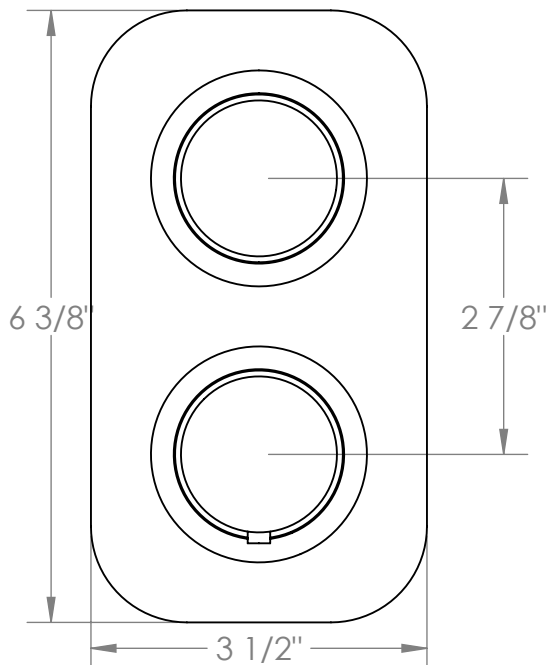
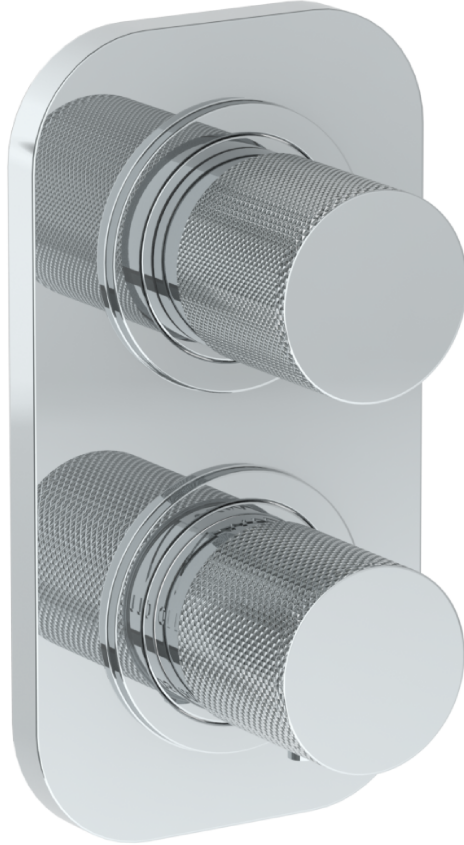


22-T25-TIA

Trim Kit Only for Miniature Thermostatic Valve with Built-In Control
Requires SS-TH60, SS-TH70, or SS-TH80 concealed rough



Meets the applicable requirements of ASME A112.18.1-2005/CSA B125.1-05, entitled "Plumbing Supply Fittings"