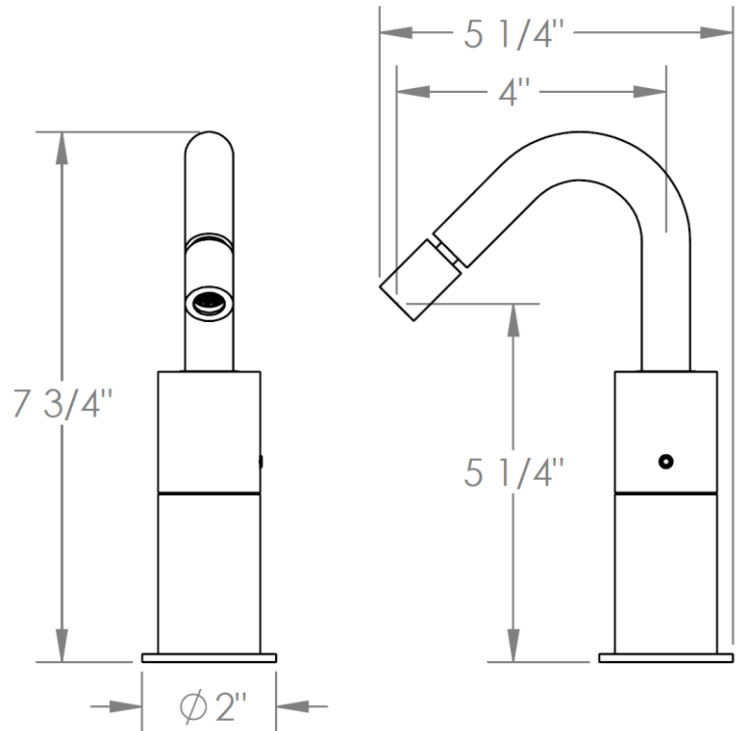


22-4.1-TIA

Deck Mounted Bidet Monoblock
Includes MPU7 pop-up drain

Note: Some building codes may require backflow preventers installed in the supply lines



Meets the applicable requirements of ASME A112.18.1-2005/CSA B125.1-05, entitled "Plumbing Supply Fittings"

WATERMARK DESIGNS 11/26/2018

350 Dewitt Ave Brooklyn NY 11207 USA T 718 257 2800 F 718 257 2144 info@watermark-designs.com