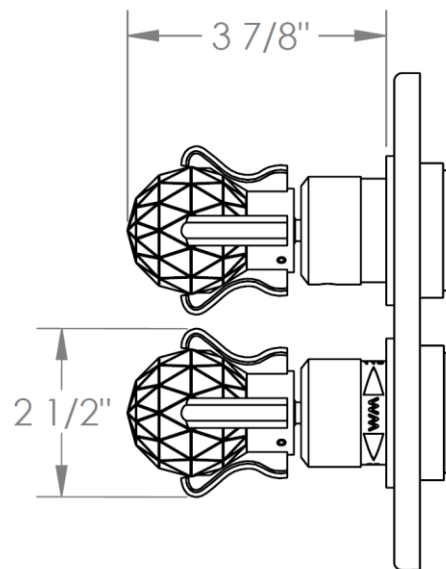
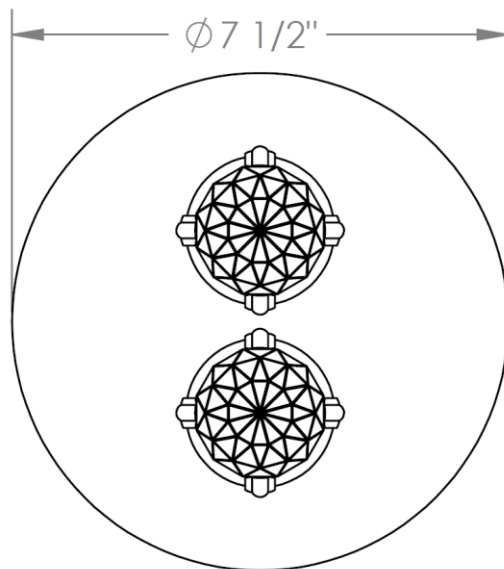


201-T20-R2

Trim Kit Only for Thermostatic Valve with Built-In Control

Requires SS-TH2000, SS-TH4000, SS-THVD2 or SS-THVD3 concealed rough



WATERMARK DESIGNS 11/16/2018