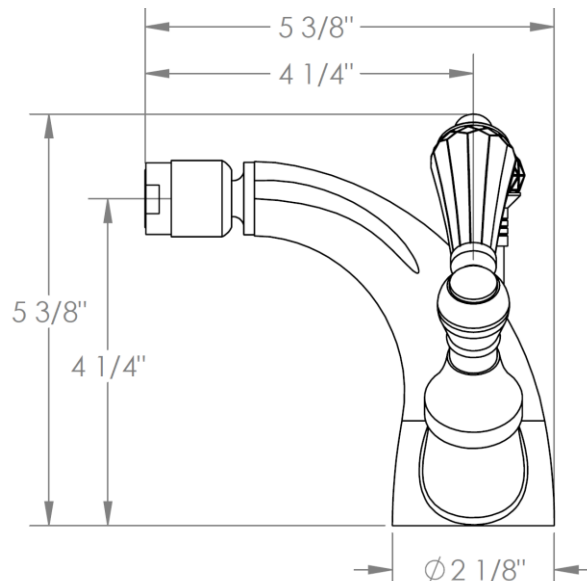
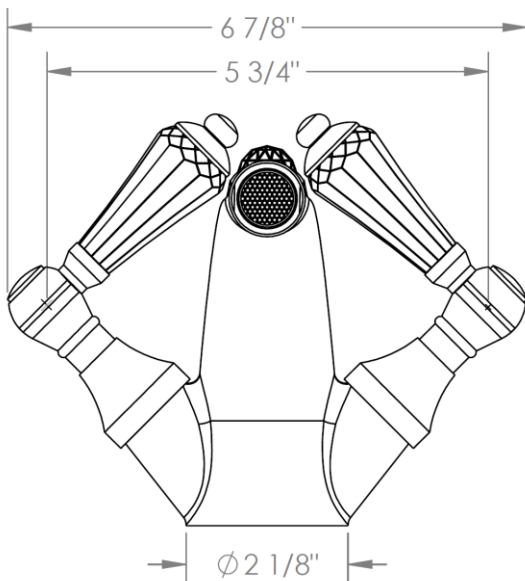
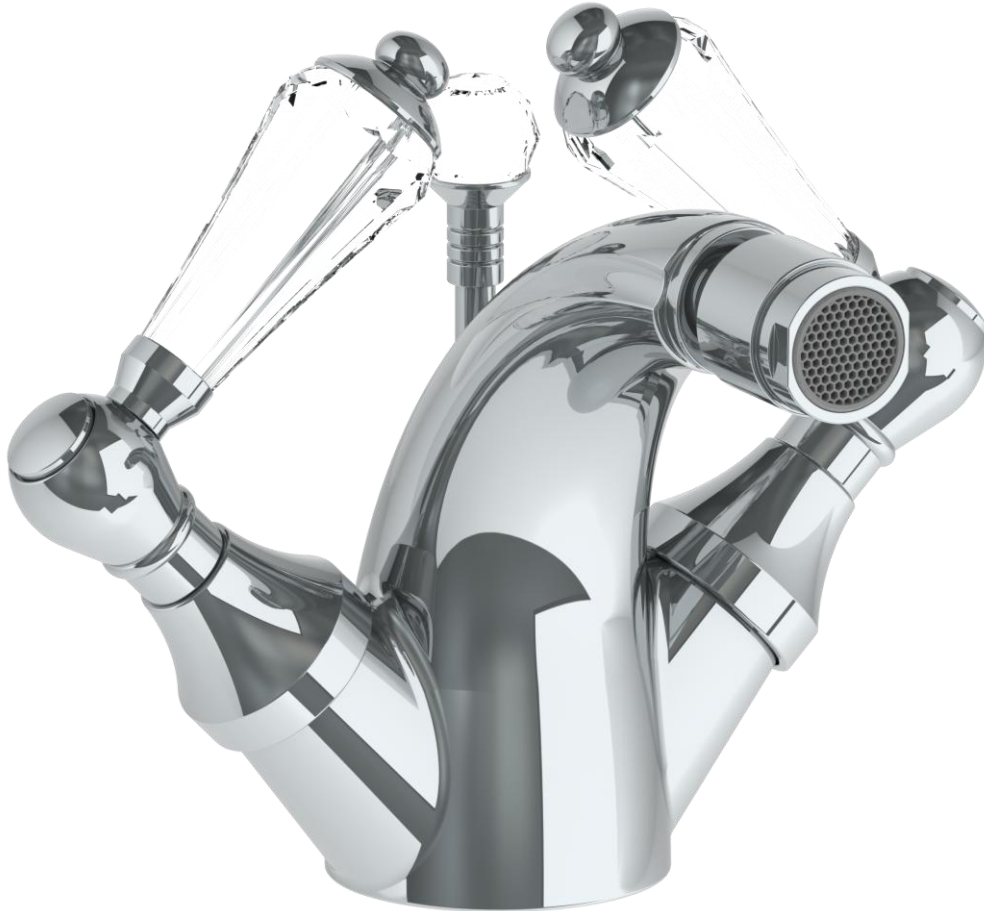


201-4.1-R2

Deck Mounted Bidet Monoblock

Includes MPU7 pop-up drain

Note: Some building codes may require backflow preventers installed in the supply lines



WATERMARK DESIGNS 10/11/2023

350 Dewitt Ave Brooklyn NY 11207 USA T 718 257 2800 F 718 257 2144 info@watermark-designs.com