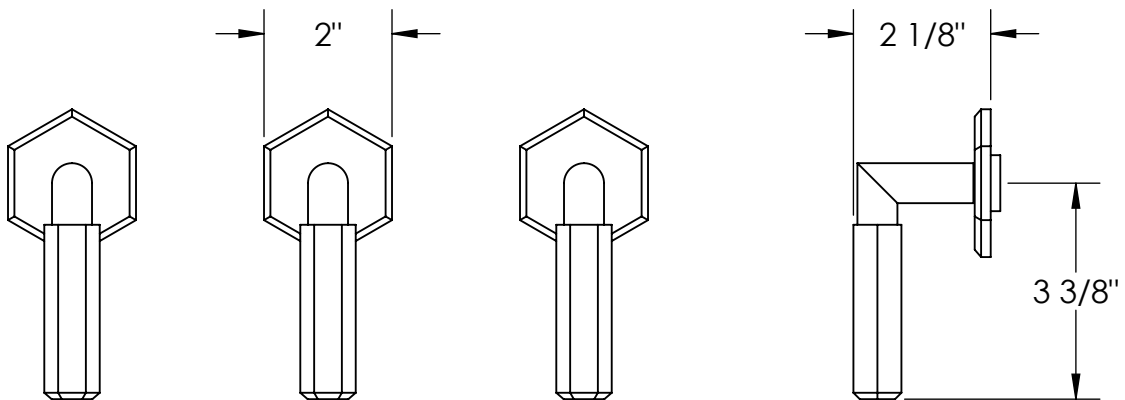
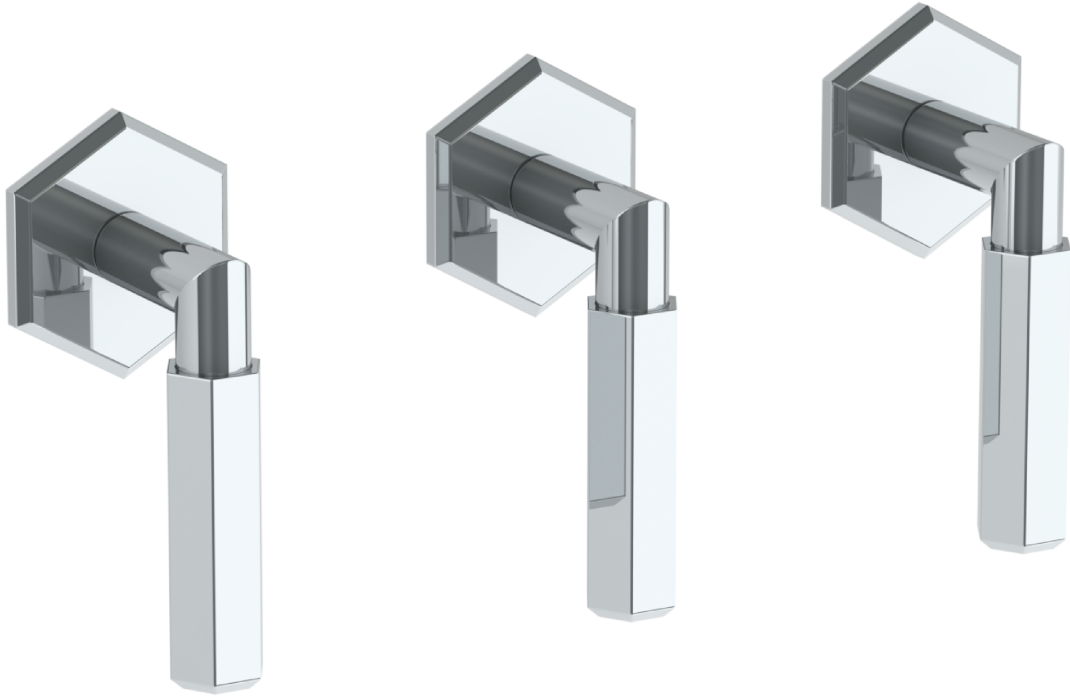


133-WTR3-JA4

Wall Mounted 3-Valve Trim

For use with SS-503 concealed rough



Meets the applicable requirements of ASME A112.18.1-2005/CSA B125.1-05, entitled "Plumbing Supply Fittings"