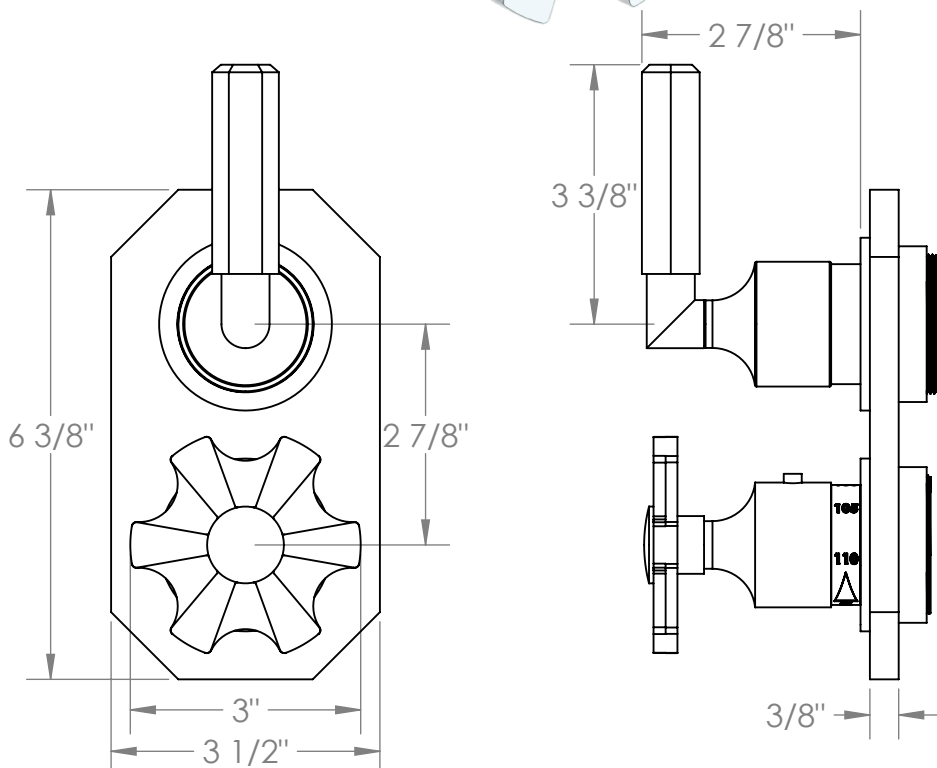
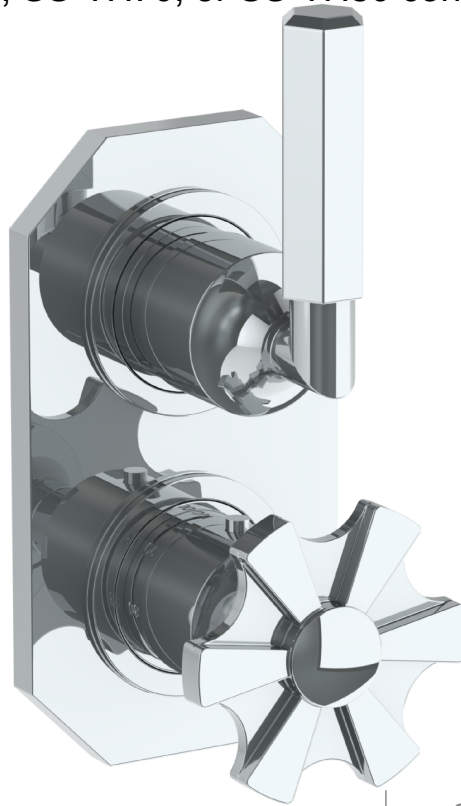


133-T25

Wall Mounted Mini Thermostatic Trim Kit with Built-In Control
For use with SS-TH60, SS-TH70, or SS-TH80 concealed rough



Meets the applicable requirements of ASME A112.18.1-2005/CSA B125.1-05, entitled "Plumbing Supply Fittings"