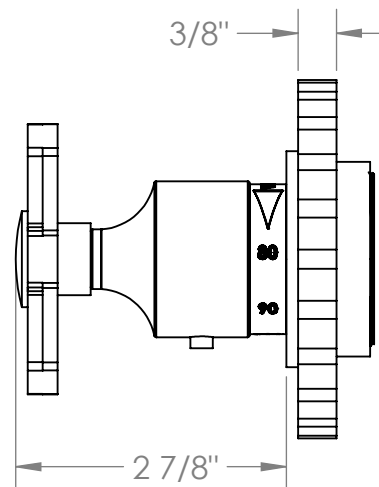
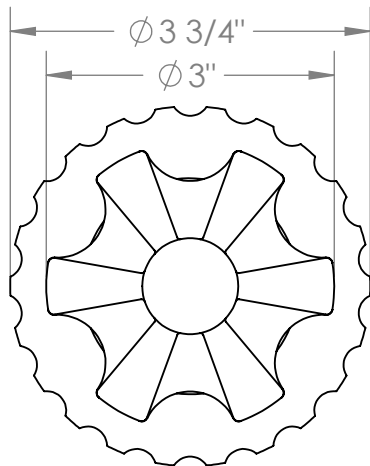
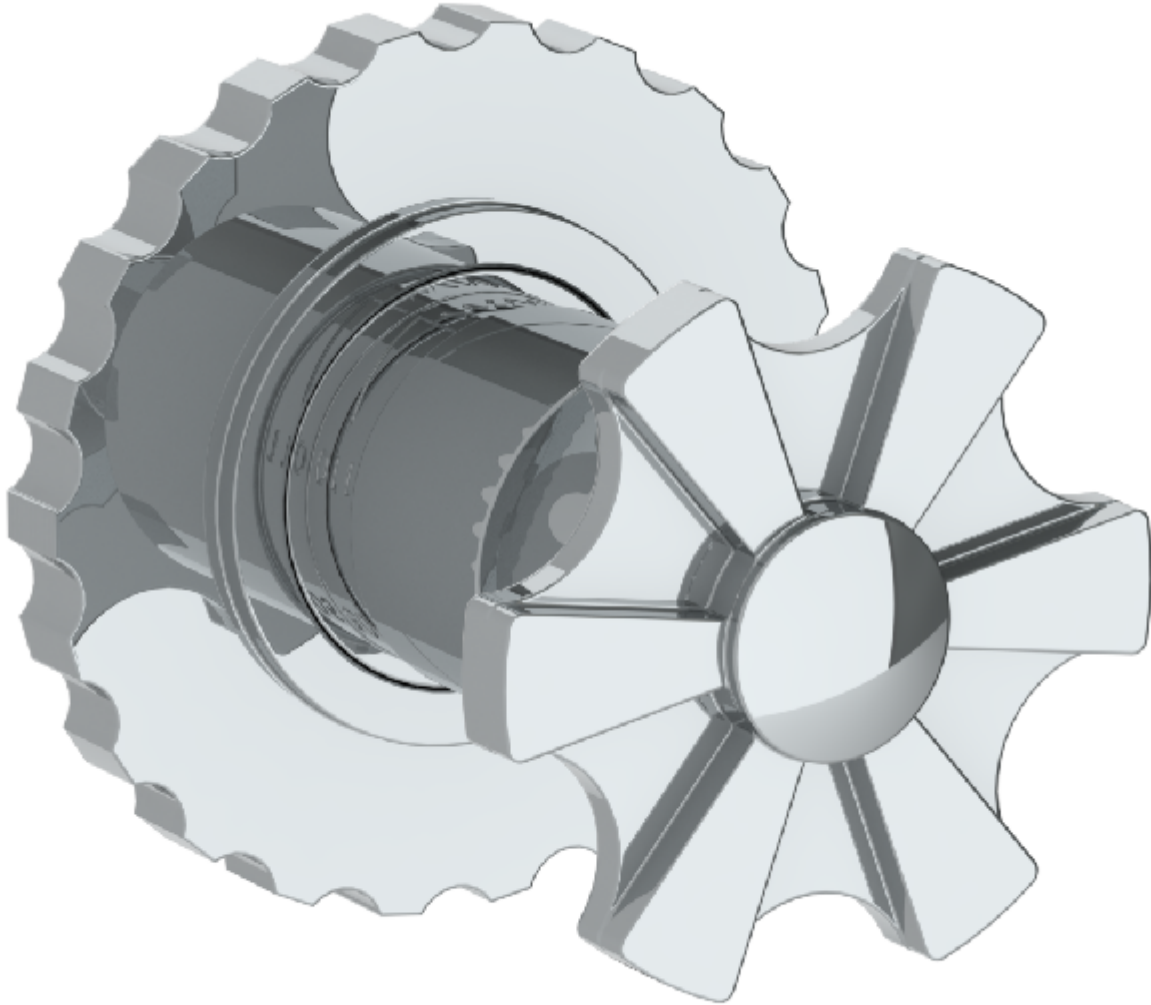


# 133-T15-JA6

Wall Mounted Miniature Thermostatic Shower Trim  
For use with SS-TH50 concealed rough



Meets the applicable requirements of ASME A112.18.1-2005/CSA B125.1-05, entitled "Plumbing Supply Fittings"