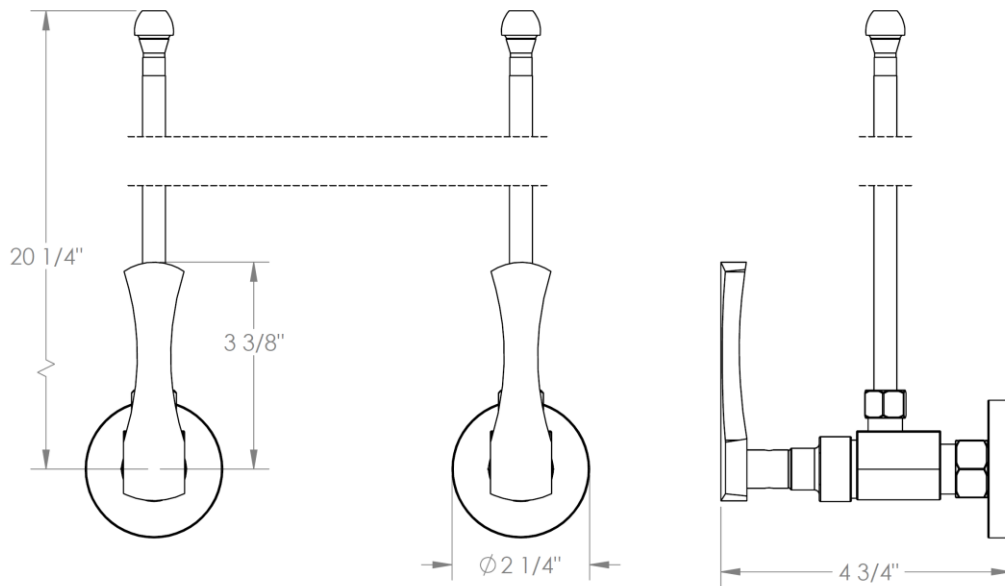
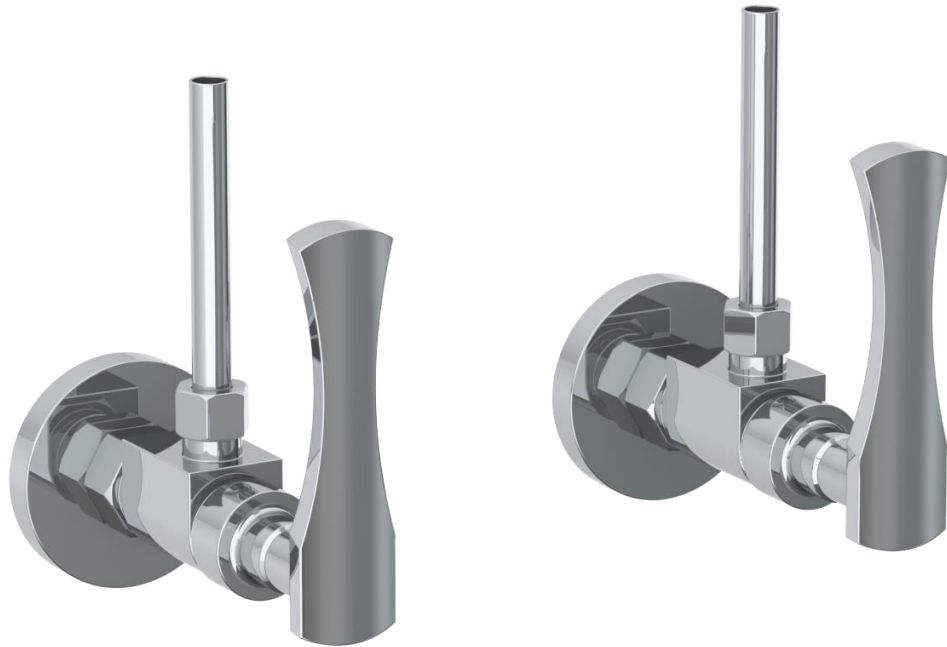


125-MAS1-BG4

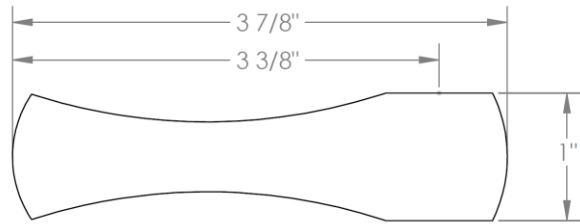
Lavatory Angle Stop Kit – 1/2" Compression x
3/8" OD Compression



Meets the applicable requirements of ASME A112.18.1-2005/CSA B125.1-05, entitled "Plumbing Supply Fittings"

Chelsea Handle Options

BG4 – JOYCE



BG5 – MARKET

