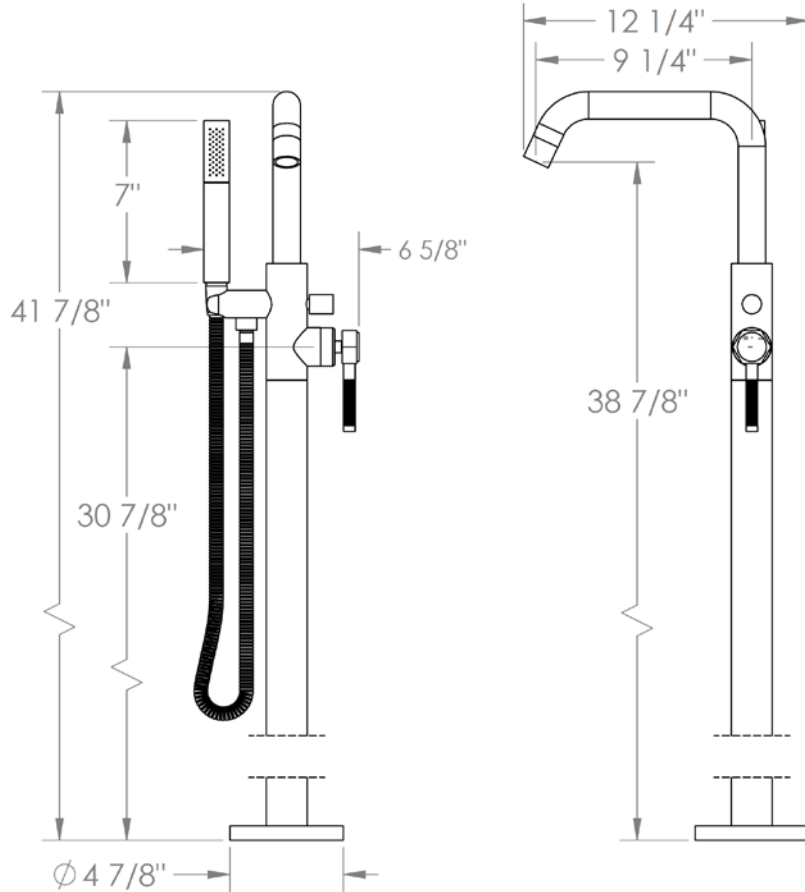


111-8.8-SP4

Floor Standing Single Hole Bath Set with Hand Shower

For use with SS-248.8-FLR-RGH

Hand Shower Flow Rate: 1.75 GPM



Meets the applicable requirements of ASME A112.18.1-2005/CSA B125.1-05, entitled "Plumbing Supply Fittings"

WATERMARK DESIGNS 6/18/2018

350 Dewitt Ave Brooklyn NY 11207 USA T 718 257 2800 F 718 257 2144 info@watermark-designs.com