

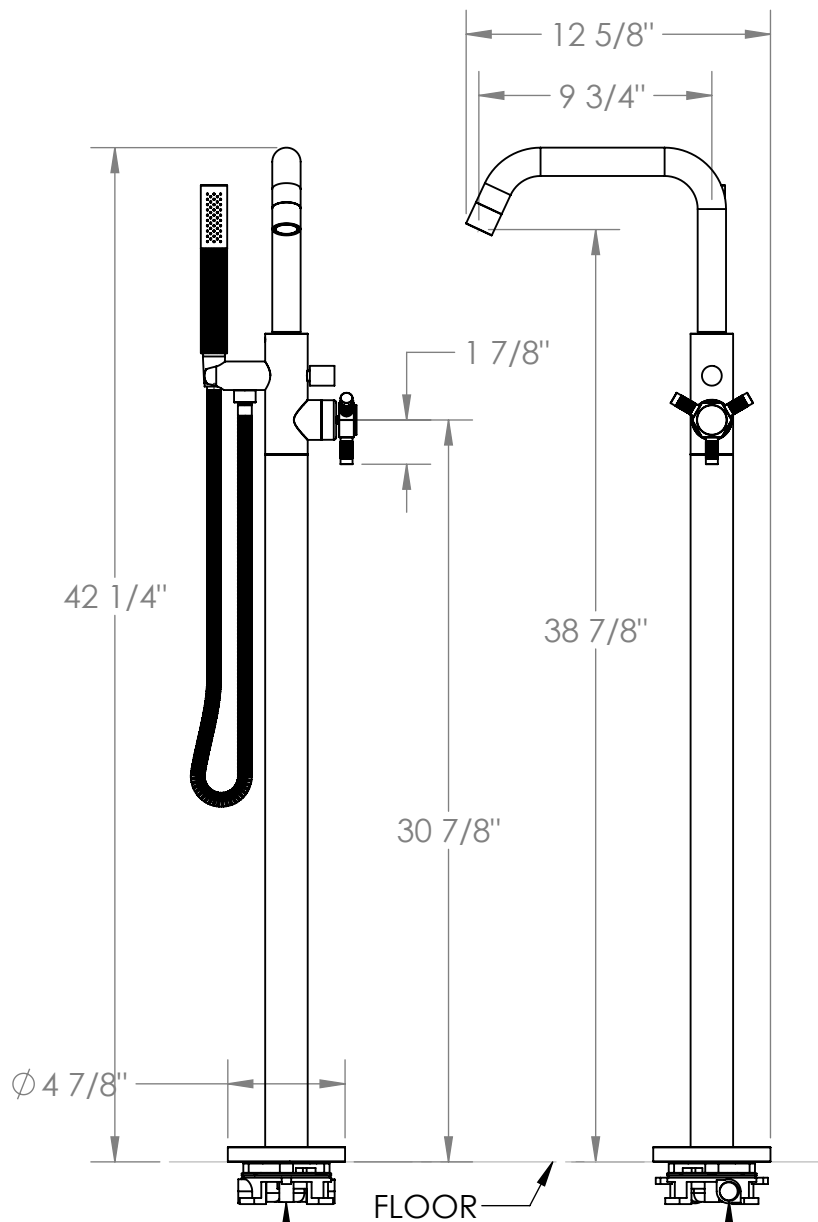
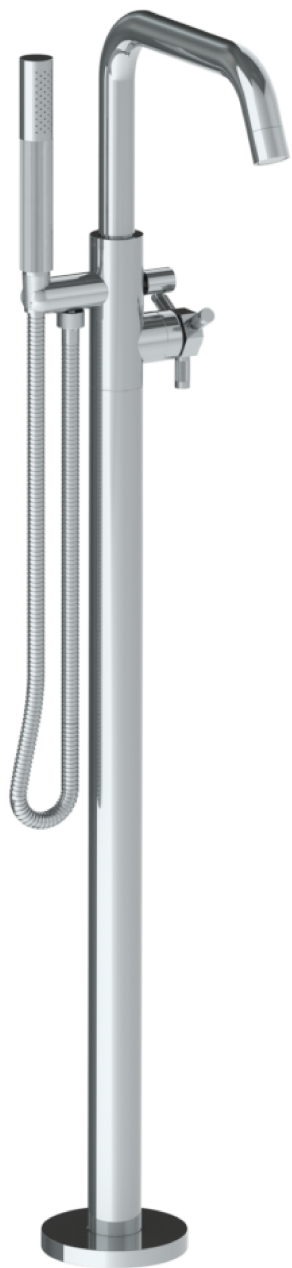
### 111-8.8-SP5

Single Hole Floor Standing Bath Set with Hand Shower

Requires SS-248.8-FLR-RGH concealed rough

Hand Shower Flow Rate: 1.75 GPM

Note: Some building codes require remote pressure balance valves for anti-scald



SS-248.8-FLR-RGH

2X 1/2-14 NPT  
FEMALE

Meets the applicable requirements of ASME A112.18.1-2005/CSA B125.1-05, entitled "Plumbing Supply Fittings"