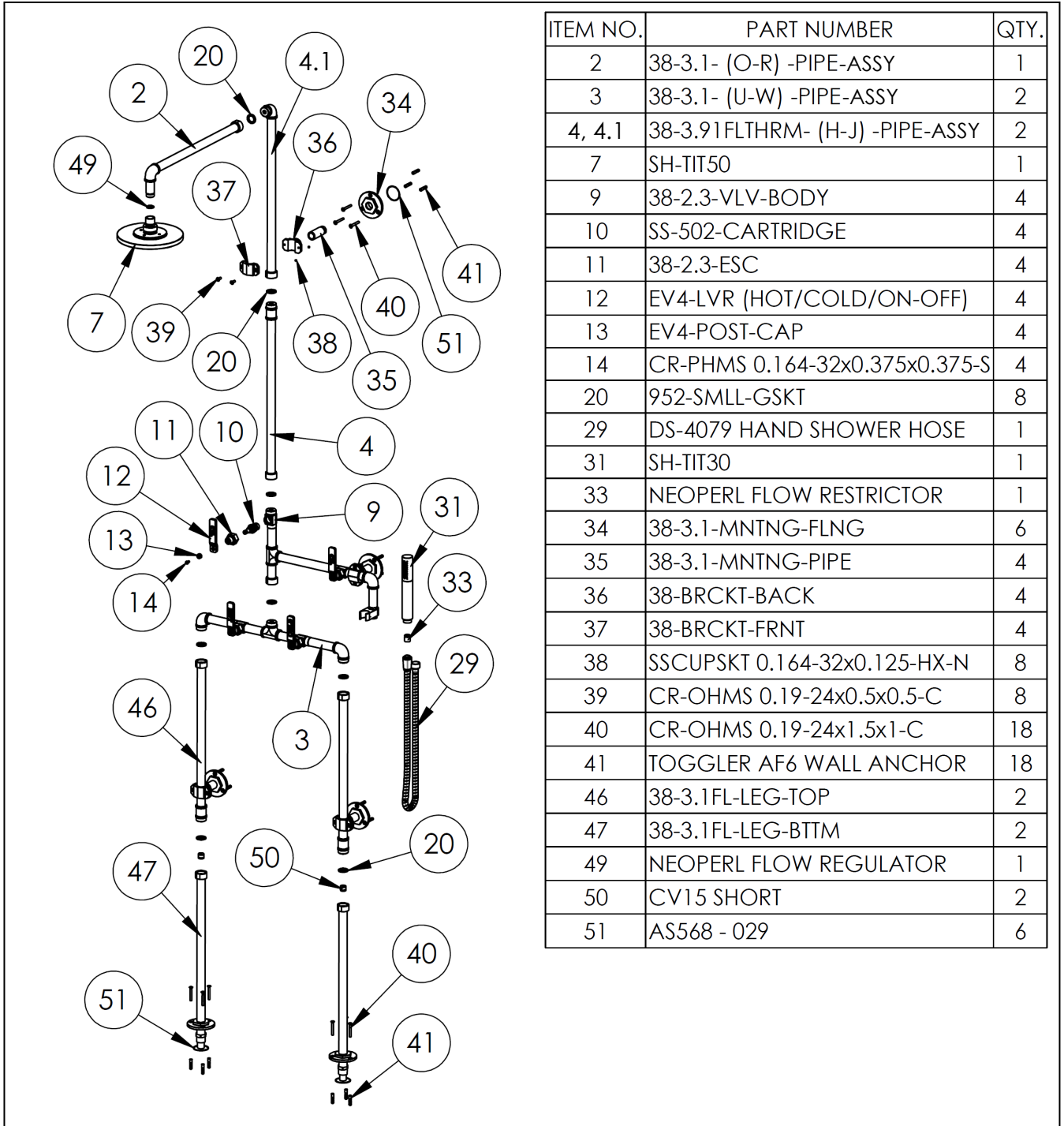
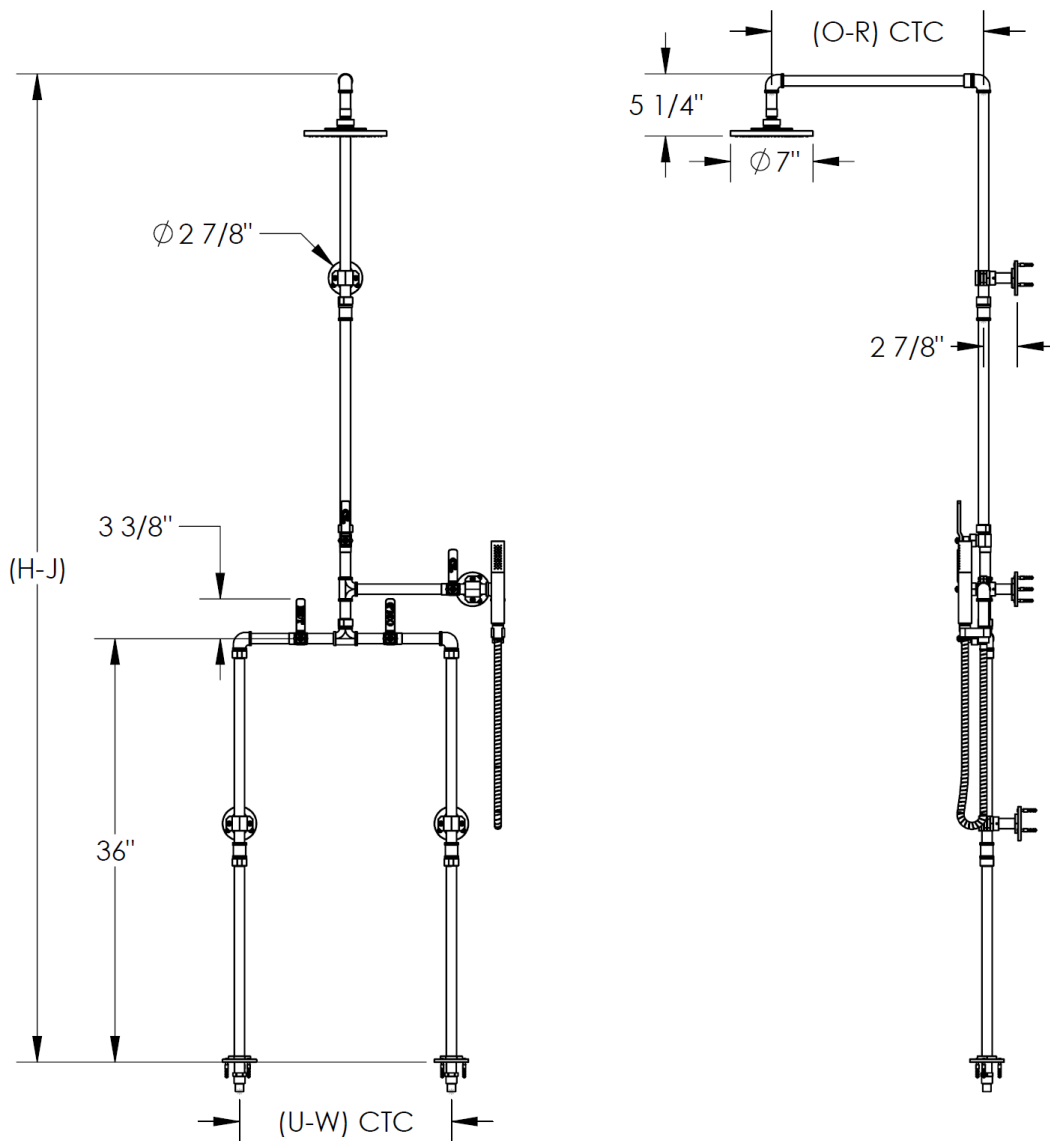


FEATURES

- Shower flow rate: 2 gpm
- Some systems may require a remote pressure balance valve
- Warranty:
 - Limited lifetime warranty (residential use)
 - One year (commercial use)
- Solid Brass Construction
- Standard finishes:
 - polished chrome
 - satin nickel
 - polished nickel
 - rustic brass



ITEM NO.	PART NUMBER	QTY.
2	38-3.1- (O-R) -PIPE-ASSY	1
3	38-3.1- (U-W) -PIPE-ASSY	2
4, 4.1	38-3.91FLTHRM- (H-J) -PIPE-ASSY	2
7	SH-TIT50	1
9	38-2.3-VLV-BODY	4
10	SS-502-CARTRIDGE	4
11	38-2.3-ESC	4
12	EV4-LVR (HOT/COLD/ON-OFF)	4
13	EV4-POST-CAP	4
14	CR-PHMS 0.164-32x0.375x0.375-S	4
20	952-SMLL-GSKT	8
29	DS-4079 HAND SHOWER HOSE	1
31	SH-TIT30	1
33	NEOPERL FLOW RESTRICTOR	1
34	38-3.1-MNTNG-FLNG	6
35	38-3.1-MNTNG-PIPE	4
36	38-BRCKT-BACK	4
37	38-BRCKT-FRNT	4
38	SSCUPSKT 0.164-32x0.125-HX-N	8
39	CR-OHMS 0.19-24x0.5x0.5-C	8
40	CR-OHMS 0.19-24x1.5x1-C	18
41	TOGLER AF6 WALL ANCHOR	18
46	38-3.1FL-LEG-TOP	2
47	38-3.1FL-LEG-BTDM	2
49	NEOPERL FLOW REGULATOR	1
50	CV15 SHORT	2
51	AS568 - 029	6



H=84"
I=90"
J=96"

O=12"
P=14"
Q=16"
R=18"

U=8"
V=12"
W=18"

IMPORTANT INSTALLATION INFORMATION

- USE TEFLON TAPE OR PIPE SEALANT FOR THREADED CONNECTIONS
- DO NOT USE PLUMBER'S PUTTY ON ANY OF THE BRASS COMPONENTS
This will cause the finish to tarnish and void the warranty. A non-corrosive Alkoxy Silicone is recommended.
- DURING SWEATING OF LINES DO NOT OVERHEAT CASTING
Overheating may cause damage to internal mechanism
- COPPER ADAPTORS MAY BE REQUIRED TO COMPLETE YOUR INSTALLATION

For technical support, please call 718-257-2800