

SS-THV2.2

TWO-HANDLE ROUGH (INDEPENDENT HOT & COLD VOLUME CONTROLS)

SS-THV2.2-26C

TWO-HANDLE ROUGH (SINGLE BODY)

Note:

- USE TEFLON TAPE OR PIPE SEALANT FOR THREADED CONNECTIONS
- DO NOT USE PLUMBER'S PUTTY ON ANY OF THE BRASS COMPONENTS
This will cause the finish to tarnish and void the warranty. A non-corrosive Alkoxy Silicone is recommended.
- DURING SWEATING OF LINES DO NOT OVERHEAT CASTING
Overheating may cause damage to internal mechanism and void the manufacturer's warranty as well as increase the risk of scalding.
- COPPER ADAPTORS MAY BE REQUIRED TO COMPLETE YOUR INSTALLATION

Diagram A

Measurements are from the tip of the nipple to the finished wall

Handle Trim #	Measurement (IN.)	Handle Trim #	Measurement (IN.)	Handle Trim #	Measurement (IN.)
A	2 1/4	CRY4/CRY5/D	2 1/4	SP4/SP5	1 3/8
AA	2 1/2	D5/D6	1 3/4	SW	2 1/8
AQ	1 1/4	DD	2 1/2	SWA	1 1/4
AX	2 1/4	DD2/DD3	1 1/8	SWU/T	1 7/8
AX less base ring	2 1/8	ED1/ED2/ED3/ED4	1 5/8	T1	1 3/4
AXP	2 1/4	E1/E2/E3	1 3/8	T4	1 5/8
AZ1	1 3/4	EV4	1 1/8	T6/T7/T8/T9	2 1/4
B4/B5	2 1/8	F/G	2 1/4	TIA/TIB/TIC	7/8
B9M/B9P	1 3/8	H	2 1/8	TR14/TR15	2 1/4
BB	2 1/2	H4	1 1/2	TR24/TR25	1 3/8
BG4/BG5/BK/BKA.1	2	HH/I	2 1/4	U	1 7/8
BL1	1/4	IN14/IN16	2 1/4	U1	2 3/8
BL2/BL3	3/4	J5/J6	1 3/4	U3/U5/U6/U7	2 1/8
BR4	1	KK	1 1/2	U8	1 1/8
BV01/BV02	2 1/2	L4/L5/L6/L8	1	V	1 3/8
BV05	1 1/4	L9	1 7/8	V1	5/8
BV09	2 1/4	LLD4/LLP5/LLO6	1 3/8	V2	1 1/4
BV13/BV15	1 3/4	MZ4/MZ5	2 1/8	W/WW	2 1/4
BV81	1 1/2	N2/N3/N4	1 1/2	WW less base ring	2 1/8
CC	2 5/8	N5	1 5/8	X	2
CC11	1 3/4	R1	3/4	XJ/XK/XM/XN/XO/XQ	1 3/8
CC20/CC21/CC22	1 3/8	R2	1 7/8	XX	2 1/4
CC30/CC31	2 1/4	R3	1 1/2	Y	2
CC40/CC41/CC42	1 3/8	RNS4/RNK8	1 3/8	Y2	1 3/8
CC51	1	S	2	YY	2 1/4
CC61	1 3/4	S1/S1A/S2/S3	1 3/8	Z	2
CL14/CL15	1 7/8	SA1	2	ZEN	1 1/2
CL16	1 3/8	SA2	2 1/4	ZZ	2 1/4

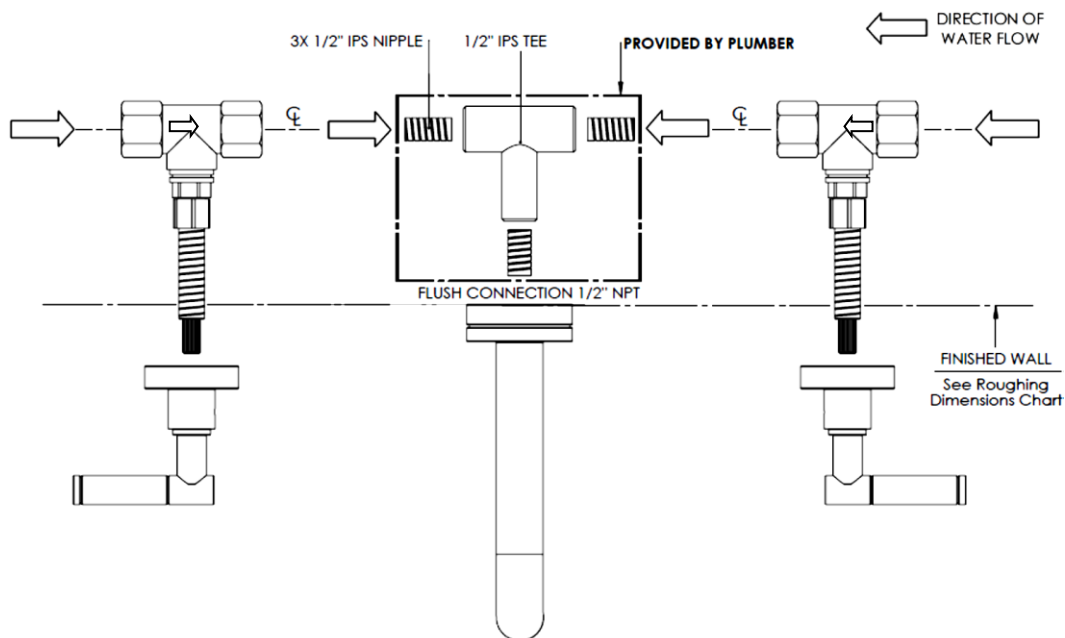
NOTE: WHEN FITTING HANDLE IT MAY BE NECESSARY TO SHORTEN BROACH STEM AND/ OR THREADED NIPPLE TO MINIMIZE GAP BETWEEN HANDLE AND ESCUTCHEON

Valve Installation

1. Place the valve rough body in position according to mudguard or according to installation Diagram A.
 - **For Diagram A, measure from the tip of the nipple to the finished wall.** Be sure to have additional stem length available in case of extra float for tile, marble or other surface material.
2. Sweat lines so that water follows arrow on valves and in accordance with Diagram B.
3. Test valve after it is installed.
 - Run valve for 30 seconds and check for leaks
4. Once valve has been tested proceed to close wall up to mudguards.
5. Install Trim.
 - Mount and hand tighten escutcheons to all thread nipples.
 - Install handles on valves. Stems can be cut down if necessary.
 - **NOTE:** For heavier lever handles tighten packing nut (3).
 - **NOTE:** Alignment kits are included with most trim to aid in positioning handles horizontally (Diagram D).
 - **NOTE:** If valve is set too far in the wall, 1" extension kits may be ordered: Model # SS-EXT60.
6. Install lavatory spout.
 - Connect brass threaded nipple from the center of the tee connection to the lavatory spout. It may be necessary to cut down the nipple. Refer to Diagram C.
 - **NOTE:** For 35, 97 and 125 series spouts, remove the nipple from spout when installing to prevent breaking.
 - Trims with spout from Group A require the nipple to extend 1/2" beyond the finished wall.
 - Trims with spouts from Group B require the nipple to be recessed 1/2" behind the finished wall.
 - Trims with spouts from Group C require a female nipple to be recessed 1/2" behind the finished wall.

Diagram B

SS-THV2.2:



SS-THV2.2-26C:

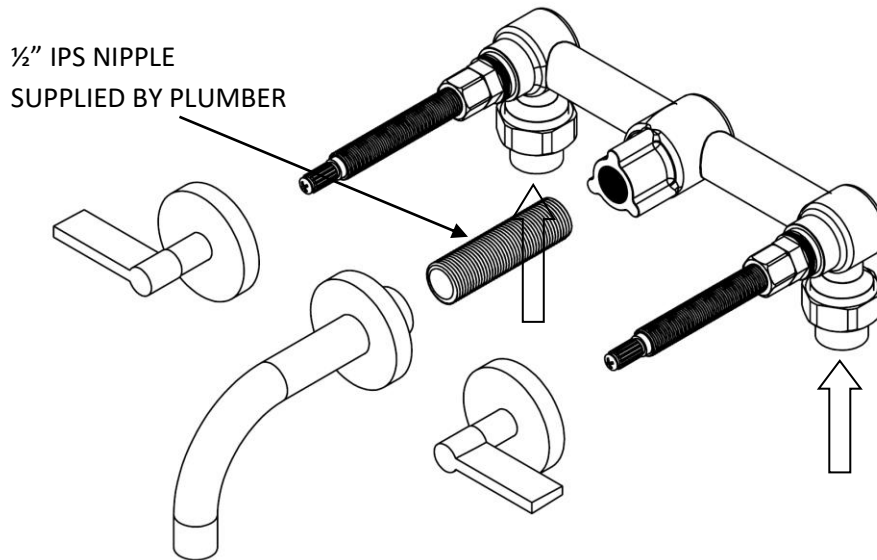


Diagram C

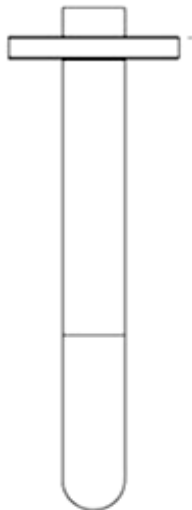
FLUSH CONNECTION 1/2" NPT



GROUP A

(SERIES 24, 25, 26, 27, 28, 29, 32, 34, 70, 71, 96, 160, 180, 203, 312,

RECESS CONNECTION 1/2" NPT
(FEMALE THREAD)



GROUP B

(SERIES 21, 22, 23, 30, 31, 33, 36, 37, 64, 111, 115, 140, 150, 201, 205, 206, 310, 311, 313,

RECESS CONNECTION 1/2" NPT
(MALE THREAD)



GROUP C

(SERIES 35, 38, 97, 125)
See note in Step 6 of Valve Installation.

Diagram D

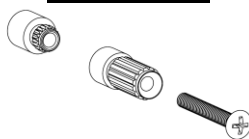
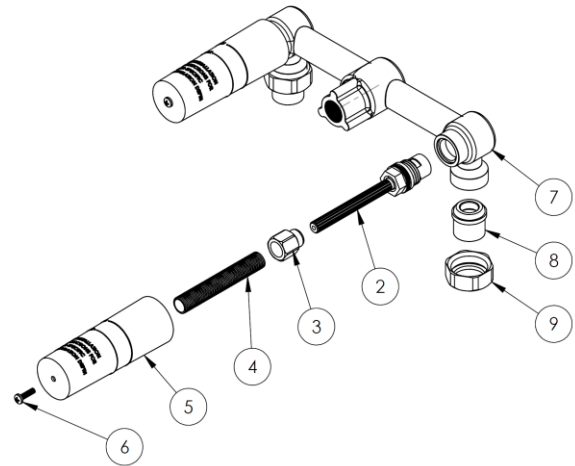
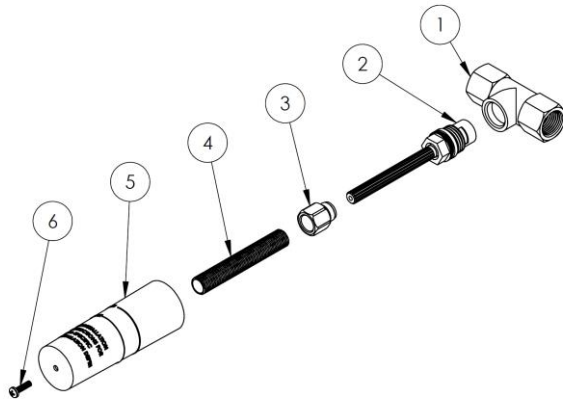


Diagram E

SS-THV2.2:

SS-THV2.2-26C:

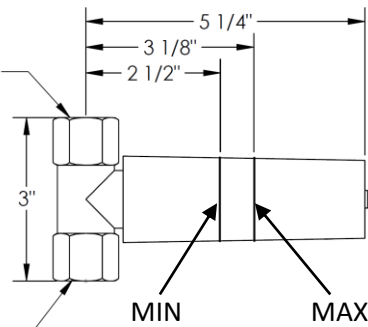


ITEM NO.	MODEL NO.	SS-THV2.2 QTY.	SS-THV2.2-26C QTY.
1	SS-TS200-BODY	2	0
2	CRT503-COLD/HOT	1 COLD/1 HOT	1 COLD/1 HOT
3	SS-TS200-PKNG-NUT	2	2
4	SS-TS200-NPPL	2	2
5	WALL-VLV-MDGRD	2	2
6	MUDGUARD SCREW	2	2
7	SS-THV2.2-26C-BODY	0	1
8	SS-THV2.2-26C-CPLNG	0	2
9	SS-THV2.2-26C-NUT	0	2

Diagram F

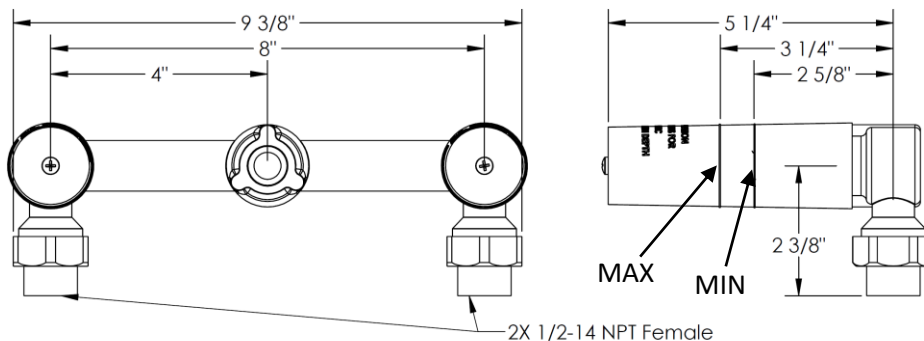
SS-THV2.2:

1/2-14 NPT Female



1/2-14 NPT Female

SS-THV2.2-26C:



2X 1/2-14 NPT Female

Rev. 08/2019