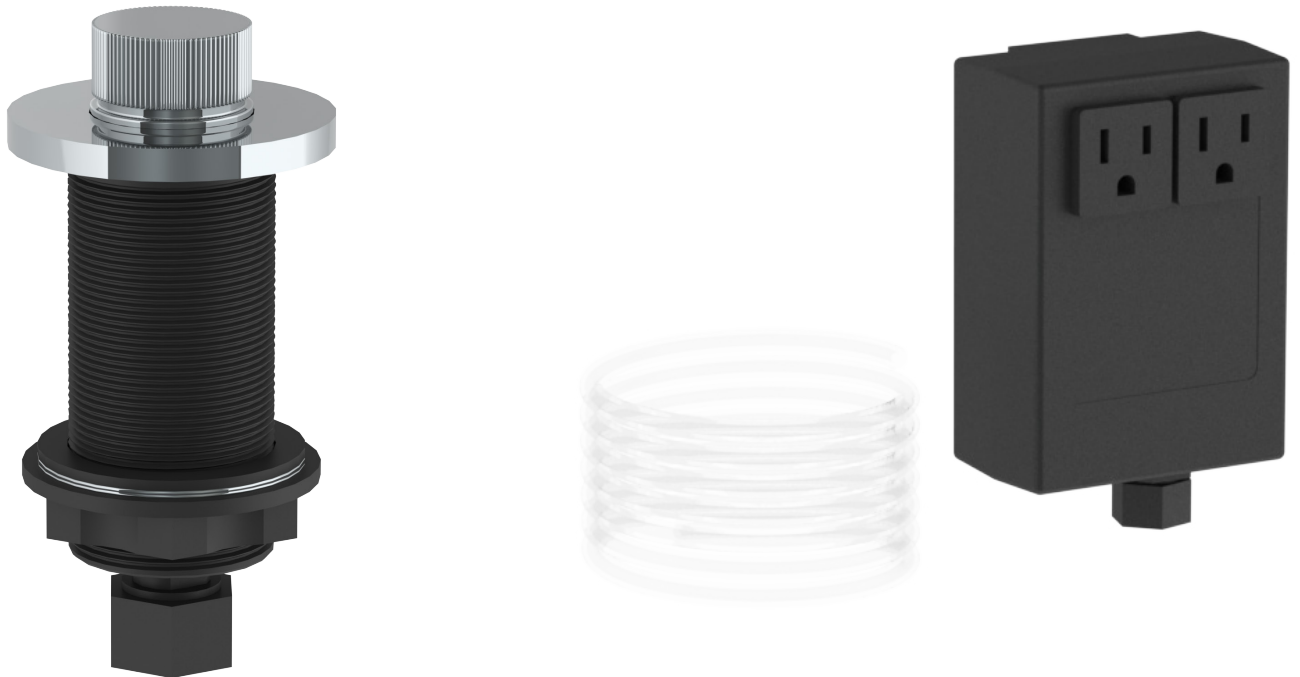


# Installation Instructions

## for Deck Mounted Air Switch



Applicable for the MSW23, MSW25, MSW29, MSW111, MS115, & MSW321 models.  
The MSW111 will be used as an example in this manual.

## IMPORTANT INFORMATION

Thank you for choosing Watermark! We appreciate your commitment to Watermark quality products. Before you install the product, please fully review these installation instructions.

Before installation, unpack the product and inspect it for any damage. Make sure all the parts are present. If not installing immediately, place the product back into its protective packaging.

The appearance of the product may be different than what is shown in this installation manual, but the installation procedure will be the same.

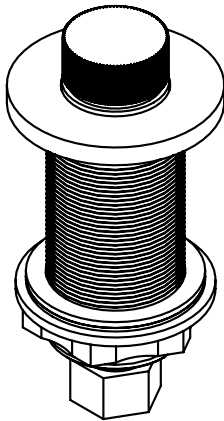
Installation considerations:

- Professional installation by a licensed plumber is strongly recommended.
- Product should be installed according to local codes and regulations.
- When installing:
  - Use Teflon tape or pipe sealant for threaded connections.
  - DO NOT use plumber's putty on any brass components. This may cause the finish to tarnish and void the warranty. Alkoxy silicone is recommended instead.
  - Flush the lines before and after installation (if applicable).
  - If the lines are sweated, do not overheat casting, which may damage mechanisms.
- Copper adaptors may be required to complete installation.

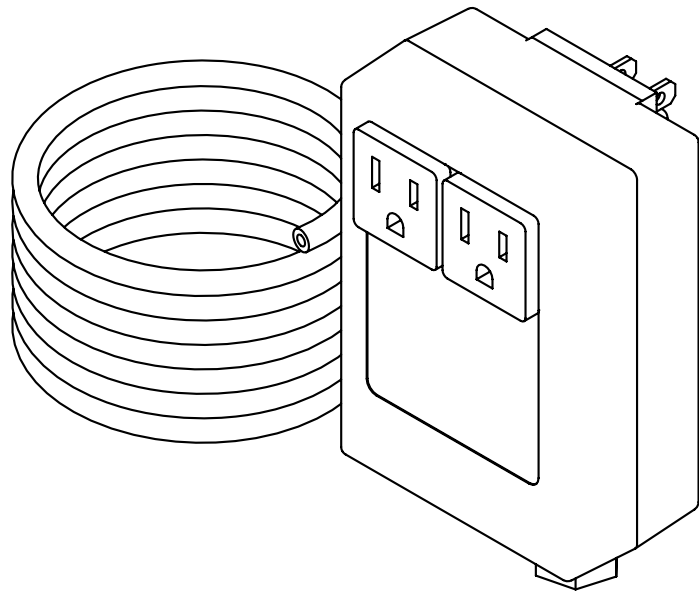
If you encounter any issues, please contact our technical support team at the number listed at the bottom of this page or email us at: [technical@watermark-designs.com](mailto:technical@watermark-designs.com)

## PARTS BREAKDOWN

MSW Assembly



MSBAH Kit  
(Box and Hose)

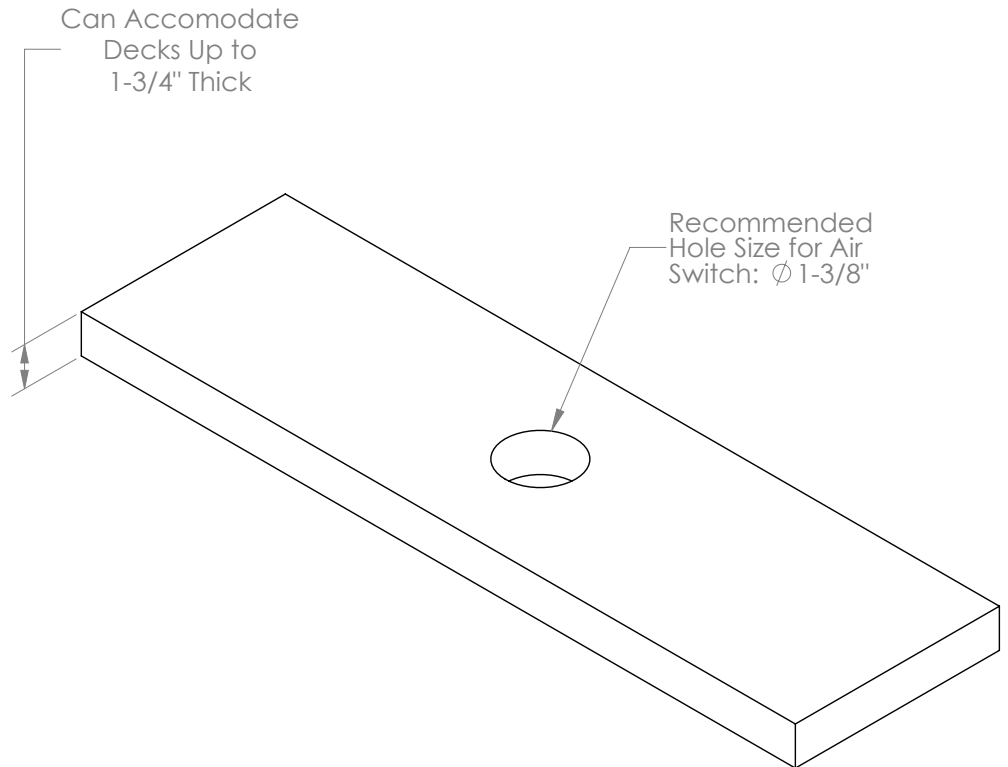


You will need:

- An outlet/power source for the MSBAH box

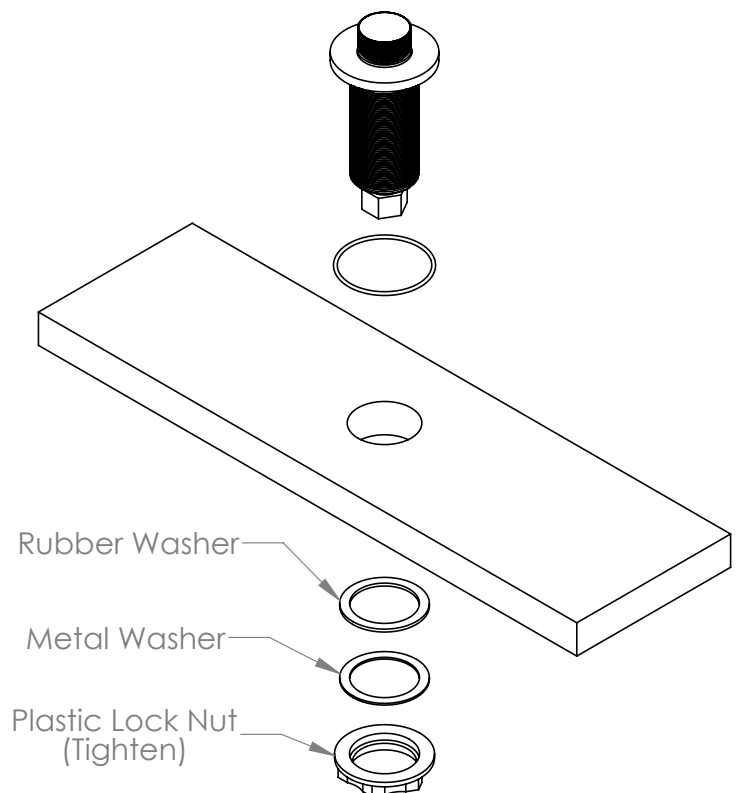
## 1. Prepare the mounting surface

Make a holes following the requirements shown on the drawing.



## 2. Install the MSW air switch

Insert the air switch into the hole on the mounting surface. Add the rubber and metal washers and thread the plastic lock nut onto the bottom of the air switch. Tighten the lock nut to secure the air switch to the mounting surface.



## 3. Install the MSBAH box

[A] Loosen the compression nut at the bottom of the MSW assembly. Insert one end of the hose into the nut and tighten the nut.

[B] Loosen the compression nut at the bottom of the MSBAH box. Insert the other end of the hose into the nut and tighten the nut.

[C] Plug the MSBAH into an electrical outlet (or other power source)

