

# Installation Instructions

## for Deck Mounted Air Gap



Applicable for the MAG23, MAG25, MAG29, MAG111, MAG115, MAG321 models.  
The MAG23 will be used as an example in this manual.

## IMPORTANT INFORMATION

Thank you for choosing Watermark! We appreciate your commitment to Watermark quality products. Before you install the product, please fully review these installation instructions.

Before installation, unpack the product and inspect it for any damage. Make sure all the parts are present. If not installing immediately, place the product back into its protective packaging.

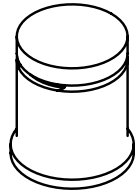
The appearance of the product may be different than what is shown in this installation manual, but the installation procedure will be the same.

Installation considerations:

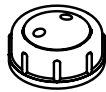
- Professional installation by a licensed plumber is strongly recommended.
- Product should be installed according to local codes and regulations.
- When installing:
  - Use Teflon tape or pipe sealant for threaded connections.
  - DO NOT use plumber's putty on any brass components. This may cause the finish to tarnish and void the warranty. Alkoxy silicone is recommended instead.
  - Flush the lines before and after installation (if applicable).
  - If the lines are sweated, do not overheat casting, which may damage mechanisms.
- Copper adaptors may be required to complete installation.

If you encounter any issues, please contact our technical support team at the number listed at the bottom of this page or email us at: [technical@watermark-designs.com](mailto:technical@watermark-designs.com)

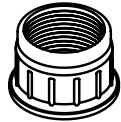
## PARTS BREAKDOWN



Decorative Cover



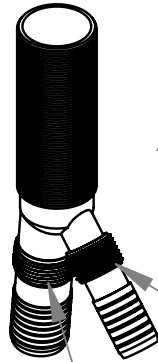
Cap



Top Lock Nut



Bottom Lock Nut



Air Gap Body

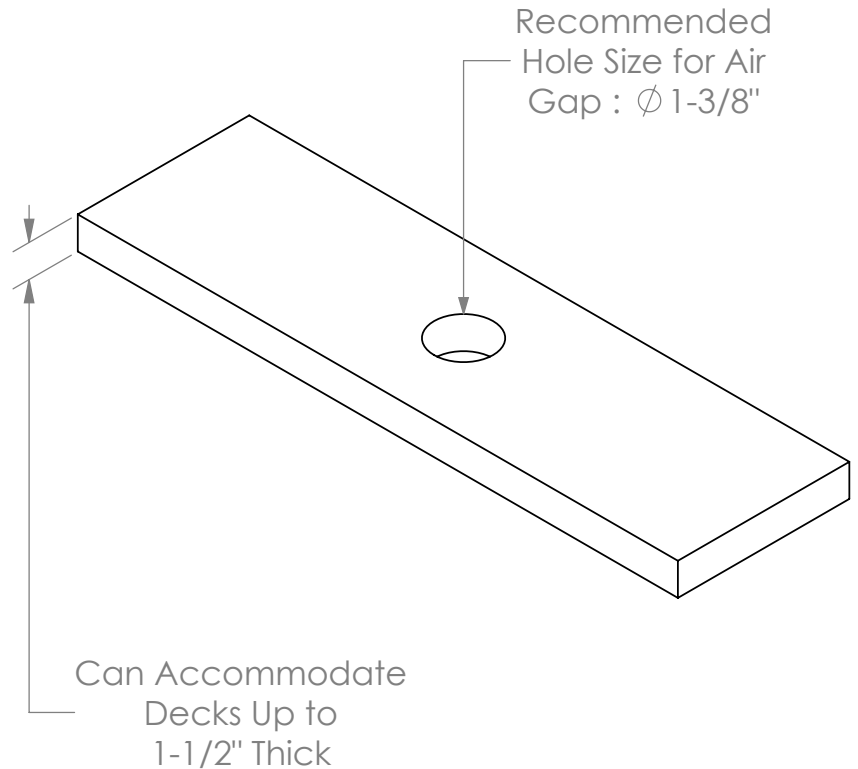
1/2 BSP Thread  
From Dishwasher

3/4 BSP Thread  
To Disposal

You will need:  
- A wrench

## 1. Prepare the mounting surface

Make a hole following the requirements shown on the drawing.

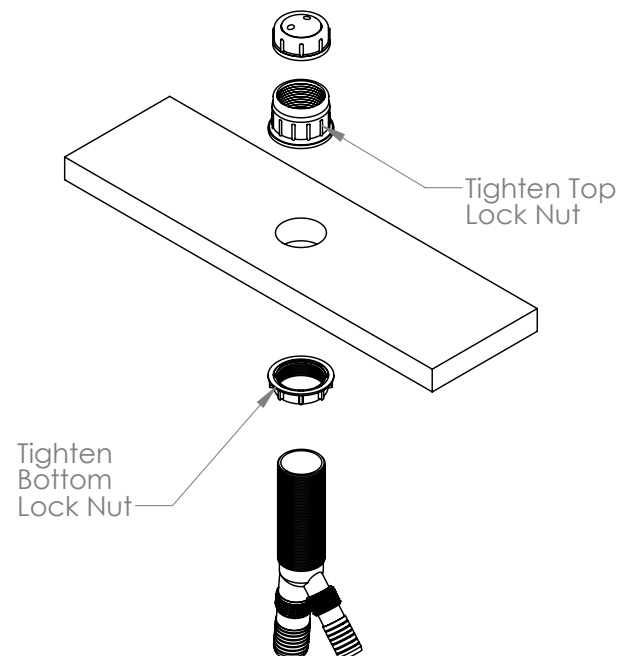


## 2. Install the air gap body

Insert the body of the air gap through the bottom lock nut and the hole on the deck.

Screw on the top lock nut and the cap onto the thread of the air gap body above the deck.

Tighten the top and bottom lock nuts to secure the air gap on the deck.



## 3. Install the cover and connect the air gap

**[A]** Place the decorative cover on top of the air gap body. Align it so that the hole is facing towards the sink.

**[B]** Connect the two ends of the air gap body to the disposal and dishwasher.

