

Installation Instructions

for Deck Mounted Water Dispensers



The 111-9.5HC/9.6H/9.7C will be used as an example in this manual.
Applicable for all 9.5HC, 9.5GHC, 9.6H, 9.6GH, 9.7C, 9.7GC models.

IMPORTANT INFORMATION

Thank you for choosing Watermark! We appreciate your commitment to Watermark quality products. Before you install the product, please fully review these installation instructions.

Before installation, unpack the product and inspect it for any damage. Make sure all the parts are present. If not installing immediately, place the product back into its protective packaging.

The appearance of the product may be different than what is shown in this installation manual, but the installation procedure will be the same.

Installation considerations:

- Professional installation by a licensed plumber is strongly recommended.
- Product should be installed according to local codes and regulations.
- When installing:
 - Use Teflon tape or pipe sealant for threaded connections.
 - DO NOT use plumber's putty on any brass components. This may cause the finish to tarnish and void the warranty. Alkoxy silicone is recommended instead.
 - Flush the lines before and after installation (if applicable).
 - If the lines are sweated, do not overheat casting, which may damage mechanisms.
- Copper adaptors may be required to complete installation.

If you encounter any issues, please contact our technical support team at the number listed at the bottom of this page or email us at: technical@watermark-designs.com

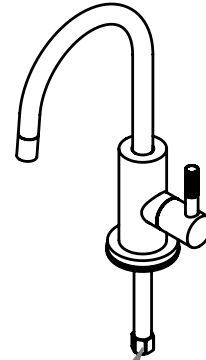
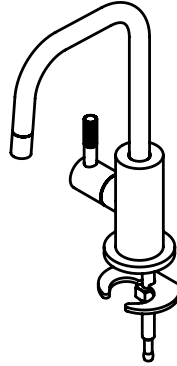
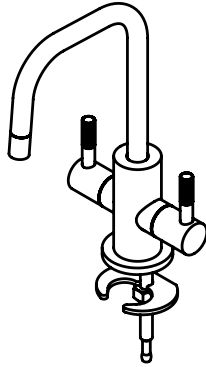
PARTS BREAKDOWN

9.5HC/
9.5GHC

9.6H/
9.6GH

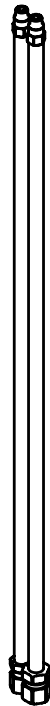
9.7C/
9.7GC

Water
Dispenser
Assembly



1x Hot Supply
Hose (1/4" Comp)

1x Cold Supply
Hose (3/8" Comp)



1/4" Comp
Connection

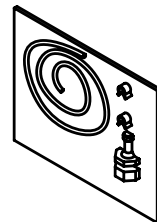
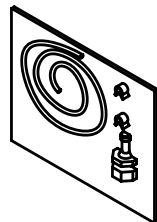
You will need:

- 1 x Wrench

Recommended Products
(Sold Separately):

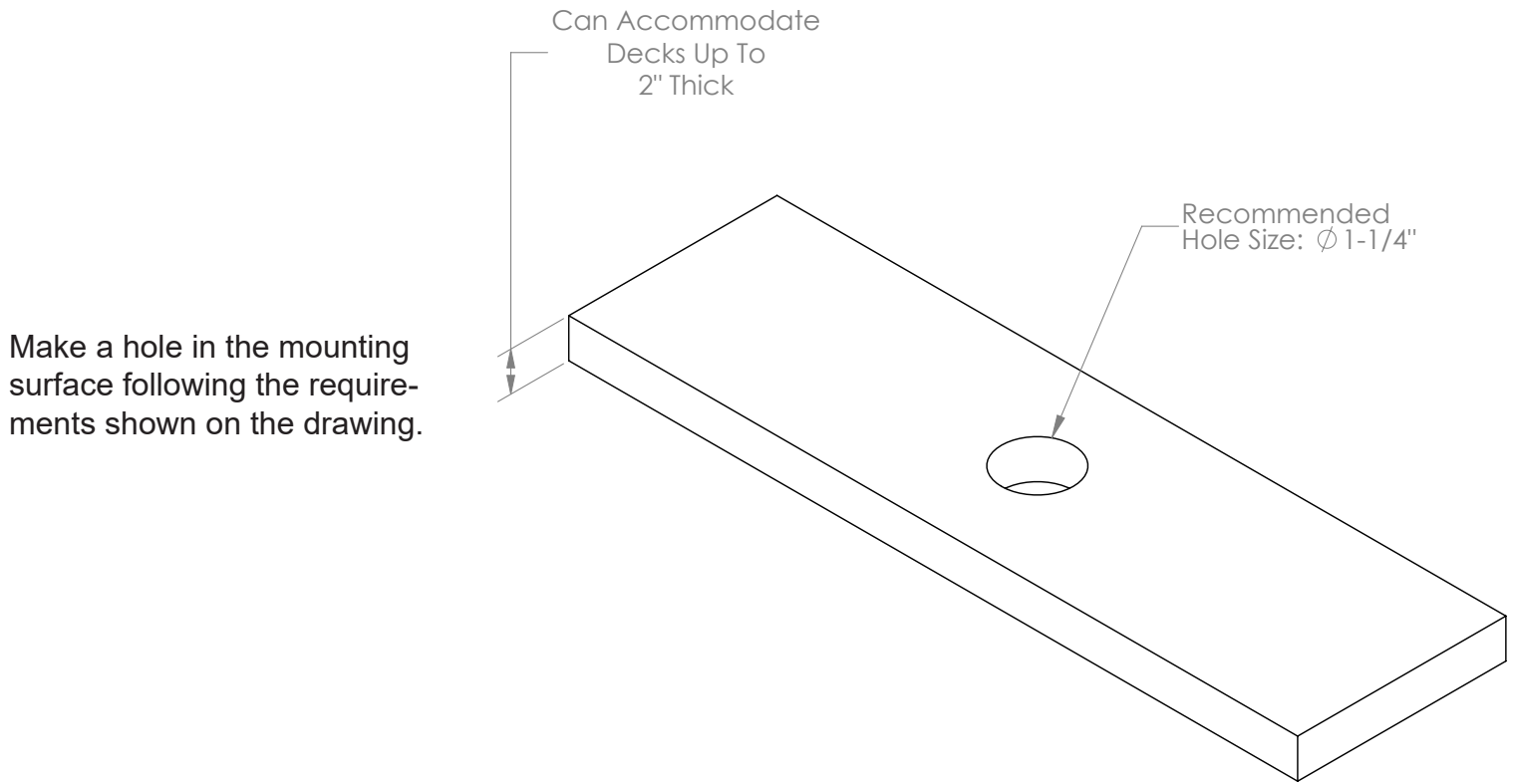
- 1x Water Heating Tank for the 9.5HC/9.5GHC/9.6H/9.6GH models (WM Model: K-IHHT)
- 1x Water Chiller for the 9.5HC/9.5GHC/9.7C/9.7GC models (WM model: K-WCHL)
- 1x Water Filter for the 9.5HC/9.5GHC/9.6H/9.6GH/9.7C/9.7GC models (WM Model: K-FS)

1x Hose Kit



Comp = "Compression"

1. Prepare the mounting surface



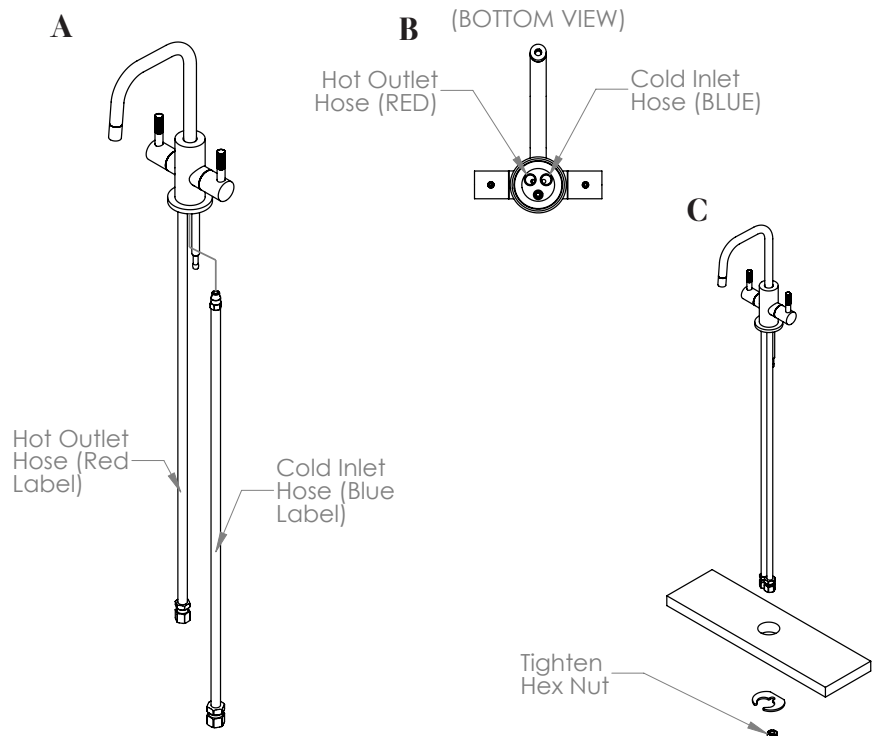
2. Install the water dispenser (9.5 and 9.6 models)

(For the 9.7C, skip to step 5)

[A] Insert and screw in the two supply hoses. With the spout facing towards the user, the hot hose (with the red label) should be on the left and the cold hose (with the blue label) should be on the right.

[B] Bottom view.

[C] Insert the water dispenser assembly into the hole. Add the washer and thread the hex nut to the supply nipple at the bottom of the dispenser. Tighten the nut to secure the dispenser on the mounting surface.

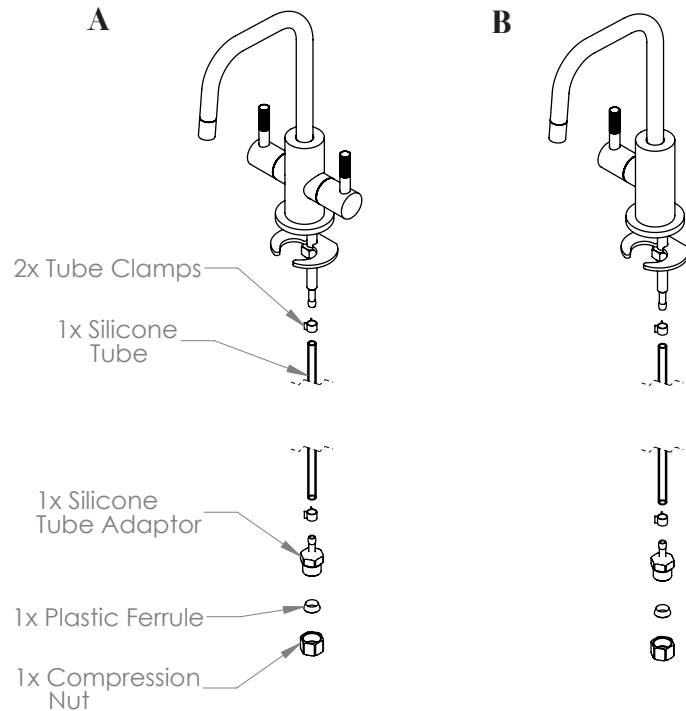


NOTE: Hose length shown is not to scale

3. Install the hose (9.5 and 9.6 models)

[A] Remove the parts in the hose kit and assemble the hose according to the diagram shown. Make sure the tube clamps are tightly securing the silicone tube on the supply nipple and the tube adaptor.

[B] The 9.6H models and the 9.5HC models share the same components and installation methods.



NOTE: Deck and other hoses from previous step hidden for clarity

4. Connect the water dispenser (9.5 and 9.6 models)

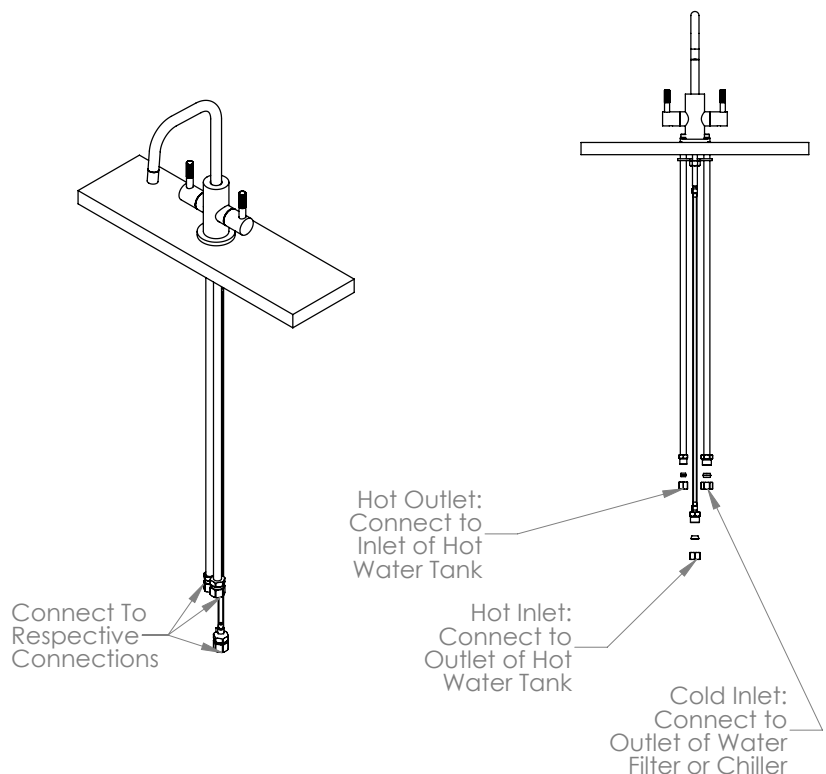
Connect the compression hoses:

Hot Outlet Hose- Connects to the 1/4" compression inlet of a water heating tank (for the K-IHHT, the inlet is located in the corner on the top of the unit).

Hot Inlet Hose- Connects to the 1/4" compression outlet of a water heating tank (for the K-IHHT, the outlet is located in the middle on the top of the unit).

Cold Inlet Hose- Connects to the 3/8" compression outlet of a water filter or chiller (for the K-WCHL, the outlet is located on the top of the unit; for the K-FS, the outlet is located on the side of the unit).

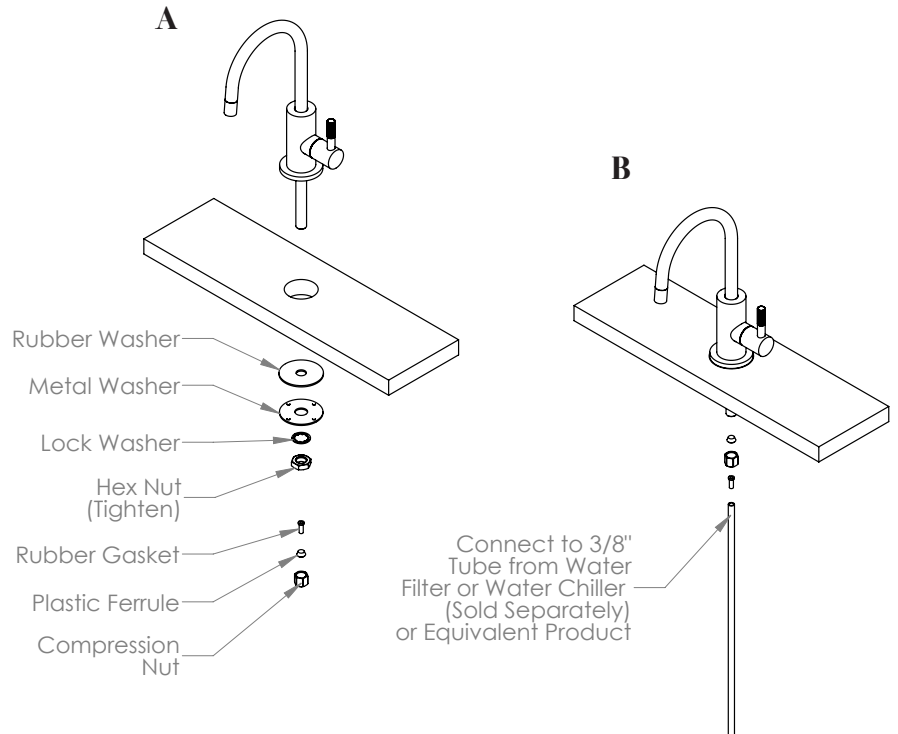
See diagram A on page 6 for installation with recommended WM products.



5. Install the water dispenser (9.7 models)

[A] Insert the water dispenser assembly into the hole on the mounting surface. Put the rubber, metal, and lock washers onto the nipple. Thread the hex nut onto the bottom and tighten it, securing the water dispenser onto the mounting surface. Then add the rubber gasket, plastic ferrule, and compression nut onto the bottom of the nipple.

[B] Connect a 3/8" tube from a water chiller or water filter to the compression nut at the bottom of the assembly.



A. Complete installation with WM products

