

Installation Instructions

for Deck Mounted Pull-Down/Pull-Out Series



The 23-7PG2-L8 will be used as an example in this manual.
Applicable for all 7P1, 7PG2, 9P3, and 9PG4 models.

IMPORTANT INFORMATION

Thank you for choosing Watermark! We appreciate your commitment to Watermark quality products. Before you install the product, please fully review these installation instructions.

Before installation, unpack the product and inspect it for any damage. Make sure all the parts are present. If not installing immediately, place the product back into its protective packaging.

The appearance of the product may be different than what is shown in this installation manual, but the installation procedure will be the same.

Installation considerations:

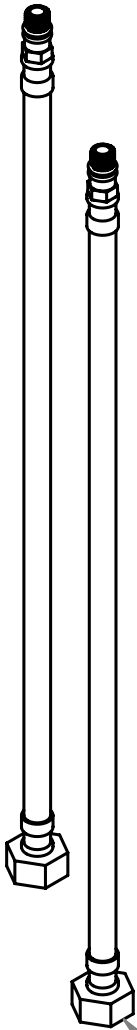
- Professional installation by a licensed plumber is strongly recommended.
- Product should be installed according to local codes and regulations.
- When installing:
 - Use Teflon tape or pipe sealant for threaded connections.
 - DO NOT use plumber's putty on any brass components. This may cause the finish to tarnish and void the warranty. Alkoxy silicone is recommended instead.
 - Flush the lines before and after installation (if applicable).
 - If the lines are sweated, do not overheat casting, which may damage mechanisms.
- Copper adaptors may be required to complete installation.

If you encounter any issues, please contact our technical support team at the number listed at the bottom of this page or email us at: technical@watermark-designs.com

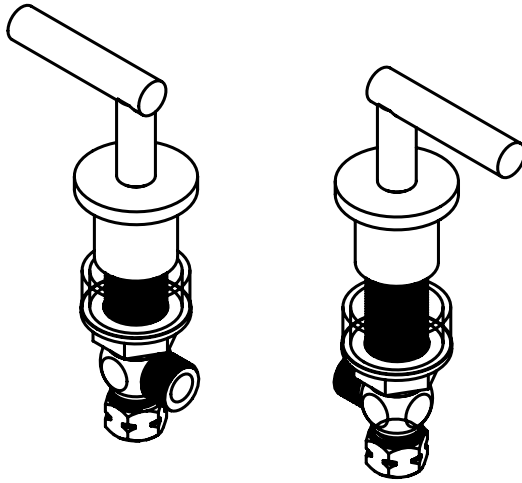
PARTS BREAKDOWN

Spout Assembly

2x Supply Hoses

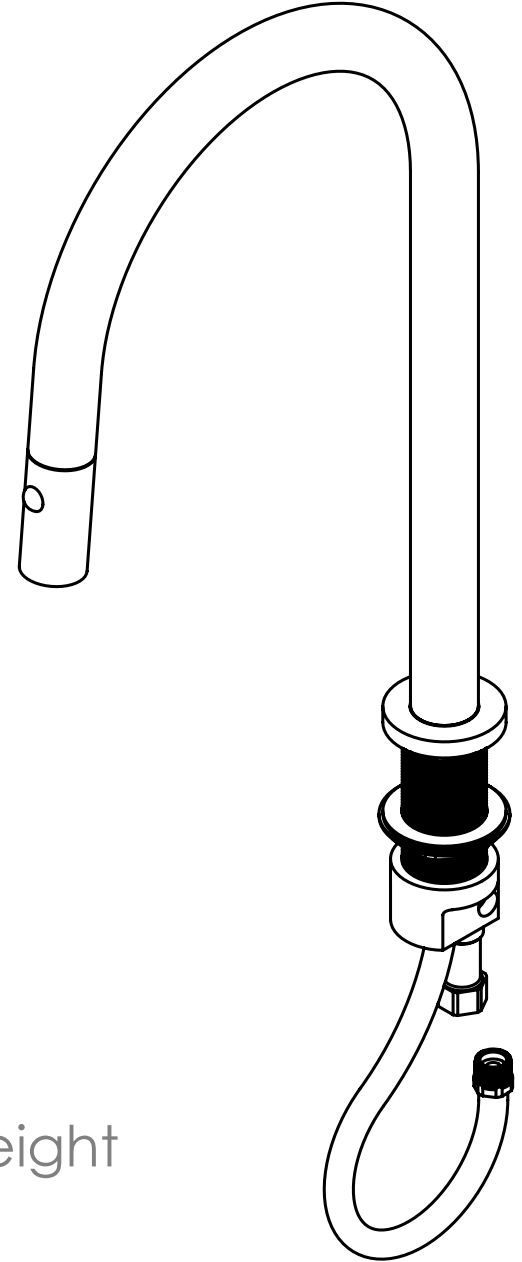


1x Hot Handle
1x Cold Handle



Hose Weight

2x 1/2-14 NPS
FEMALE

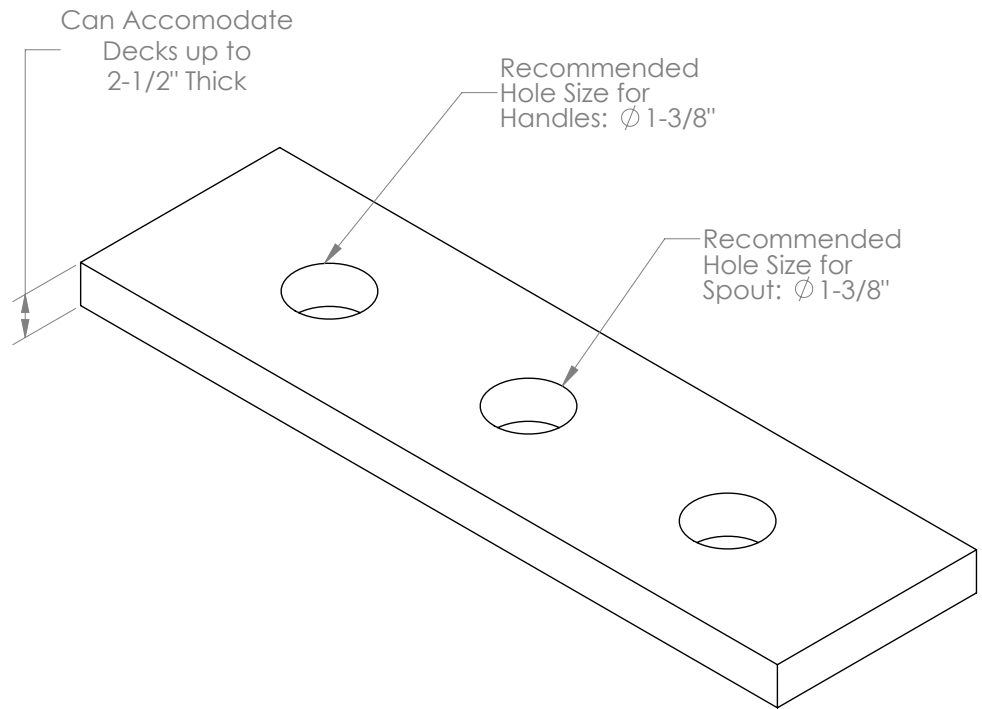


You will need:

- 1 x Screwdriver
- 1 x Wrench

1. Prepare the mounting surface

Make 3 holes following the requirements shown on the drawing.

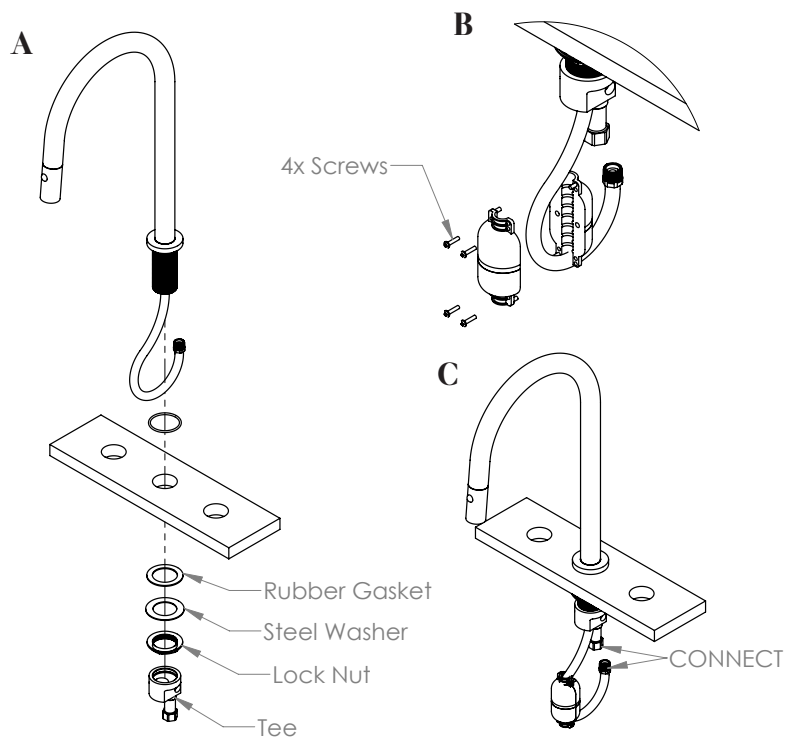


2. Install the spout in the center hole

[A] Insert the spout into the hole. Attach the rubber gasket, steel washer, brass lock nut, and tee to the bottom of the spout. Tighten the tee against the bottom of the spout. Tighten the lock nut against the bottom of the mounting surface.

[B] Attach the hose weight on the side of the hose loop that goes into the spout. Adjust the location based on how much you need the pull-out spray to extend.

[C] Connect the end of the hose to the bottom of the tee.

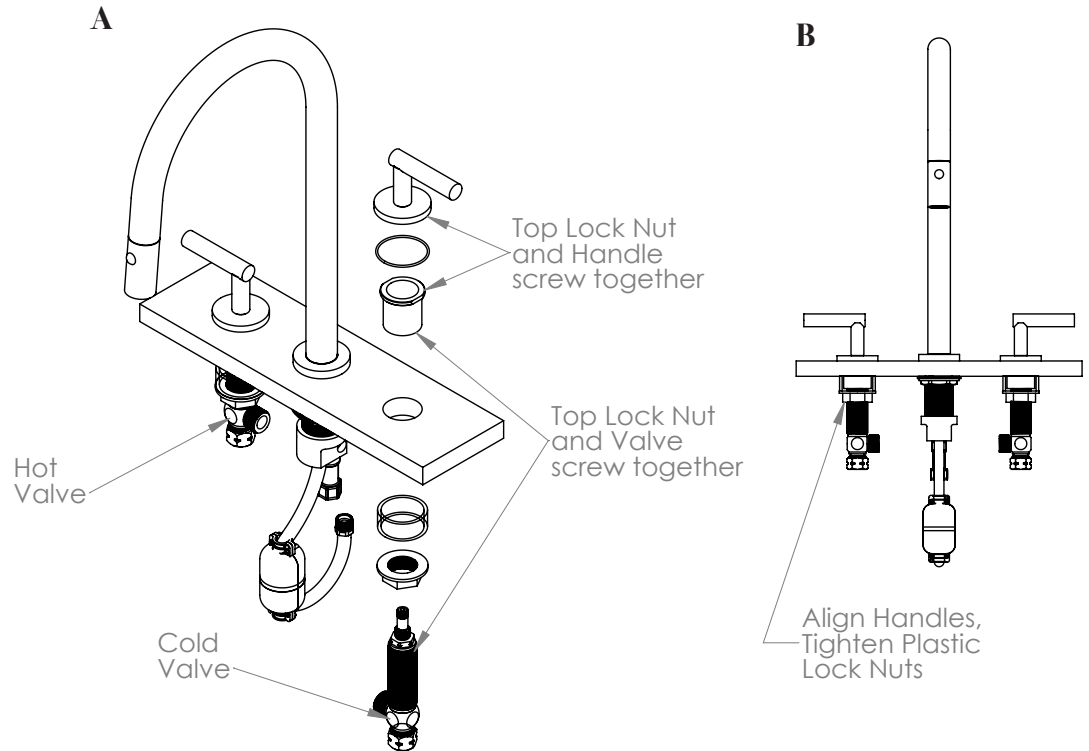


NOTE: Hose length shown is not to scale

3. Install the handles and valves

[A] Insert the valves from under the bottom of the mounting surface. Attach the top lock nuts from above the mounting surface. Screw the top lock nuts onto the valve until the stem of the cartridge sticks above the counter.

[B] Attach the handle onto the top lock nut and align its orientation. Tighten the plastic lock nuts and spacers under the deck to secure the handle.



4. Attach the hoses

[A] Connect the narrow end of the supply hoses to the tee at the bottom of the spout.

[B] Connect the other end of the supply hoses to the hot and cold valves.

