

Installation Instructions

for Deck Mounted Monoblock Faucets



The 37-7.3P1-BL2 will be used as an example in this manual.
Applicable for all 7.3P1, 7.3PG2, 7.3P3, 7.3PG4, 9.3P1, and 9.3PG2 models.

IMPORTANT INFORMATION

Thank you for choosing Watermark! We appreciate your commitment to Watermark quality products. Before you install the product, please fully review these installation instructions.

Before installation, unpack the product and inspect it for any damage. Make sure all the parts are present. If not installing immediately, place the product back into its protective packaging.

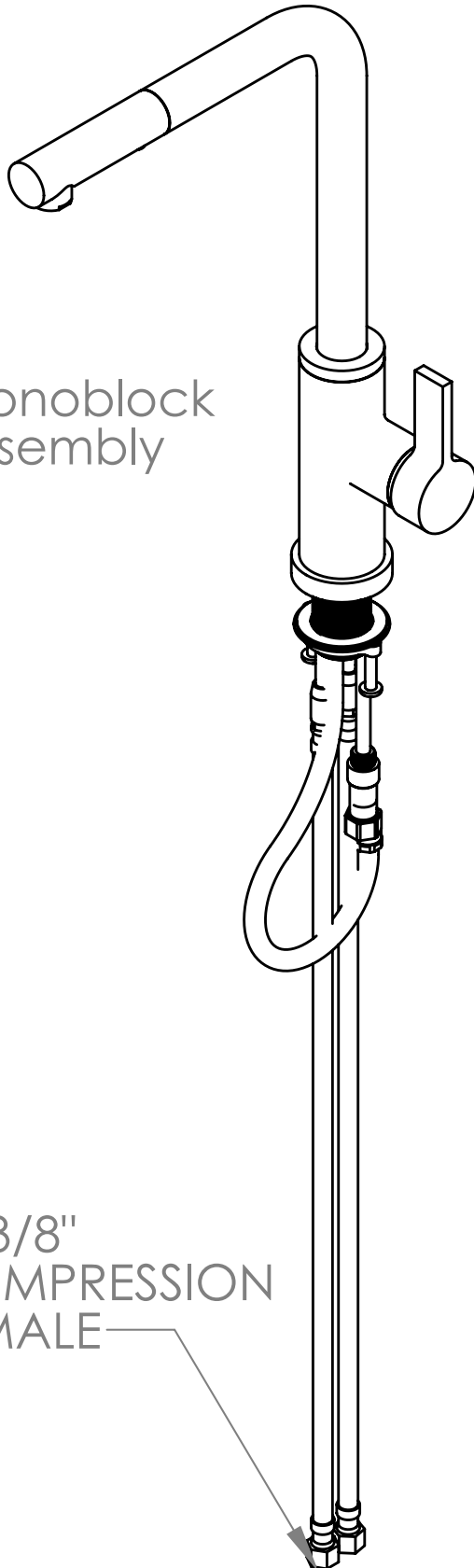
The appearance of the product may be different than what is shown in this installation manual, but the installation procedure will be the same.

Installation considerations:

- Professional installation by a licensed plumber is strongly recommended.
- Product should be installed according to local codes and regulations.
- When installing:
 - Use Teflon tape or pipe sealant for threaded connections.
 - DO NOT use plumber's putty on any brass components. This may cause the finish to tarnish and void the warranty. Alkoxy silicone is recommended instead.
 - Flush the lines before and after installation (if applicable).
 - If the lines are sweated, do not overheat casting, which may damage mechanisms.
- Copper adaptors may be required to complete installation.

If you encounter any issues, please contact our technical support team at the number listed at the bottom of this page or email us at: technical@watermark-designs.com

PARTS BREAKDOWN



Monoblock
Assembly

Hose Weight

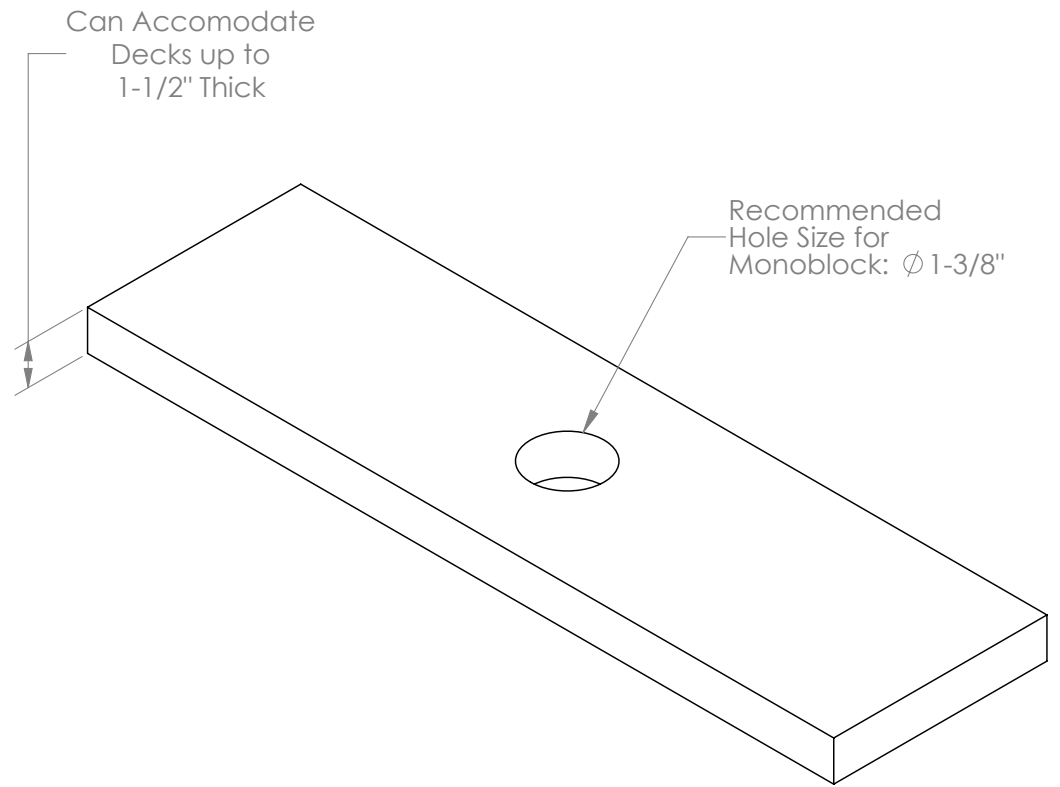


2x 3/8"
COMPRESSION
FEMALE

You will need:
- 1 x Screwdriver

1. Prepare the mounting surface

Make 1 hole in the mounting surface following the requirements shown on the drawing.

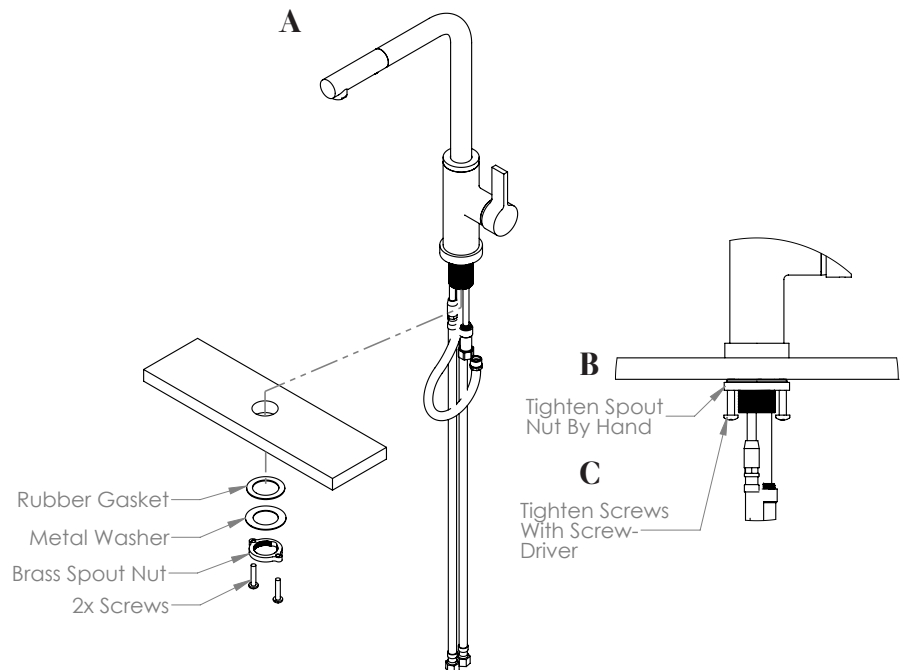


2. Install the monoblock

[A] Insert the monoblock assembly through the hole in the mounting deck. Thread the spout nut onto the bottom of the spout nipple.

[B] Tighten the spout nut on the spout nipple by hand, compressing the metal washer and rubber gasket against the bottom of the mounting surface.

[C] Use a screwdriver to tighten the two screws on the spout nut against the metal washer as much as possible.



NOTE: Hose length shown is not to scale

3. Install the hose weight and hose connection

[A] Attach the hose weight on the side of the hose loop that goes into the spout. Adjust the location based on how much you need the pull-out spray to extend.

[B] Connect and screw the end of the hose to the riser outlet at the bottom of the spout if it has not been connected yet.

[C] Connect the ends of the flex hoses to a supply stop (sold separately).

