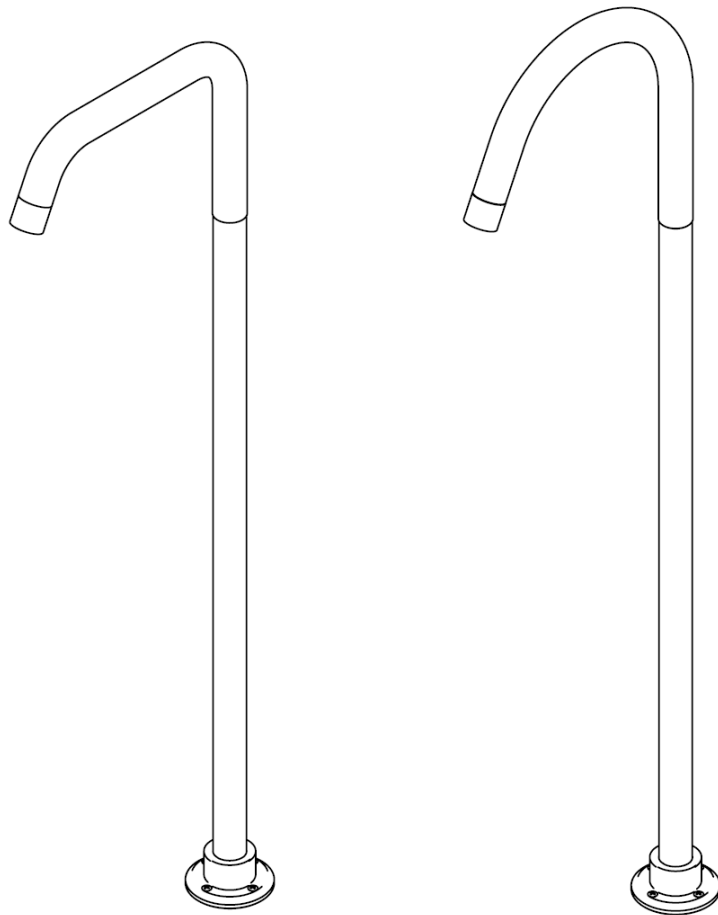


# WATERMARK

*BROOKLYN, NEW YORK*

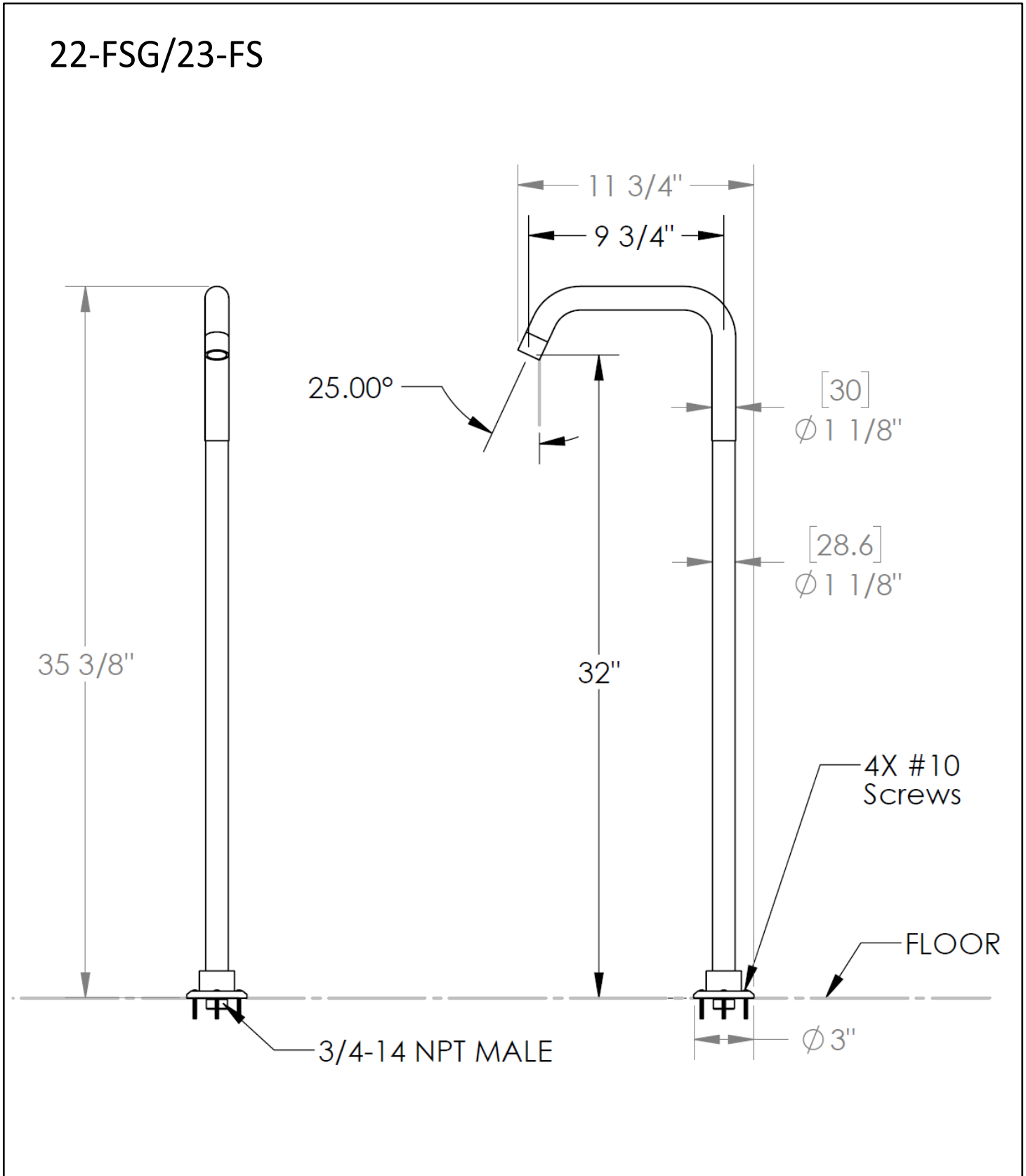
## INSTALLATION INSTRUCTION



Floor Mounted Bath Spout  
22-FS/23-FS/22-FSG/23-FSG

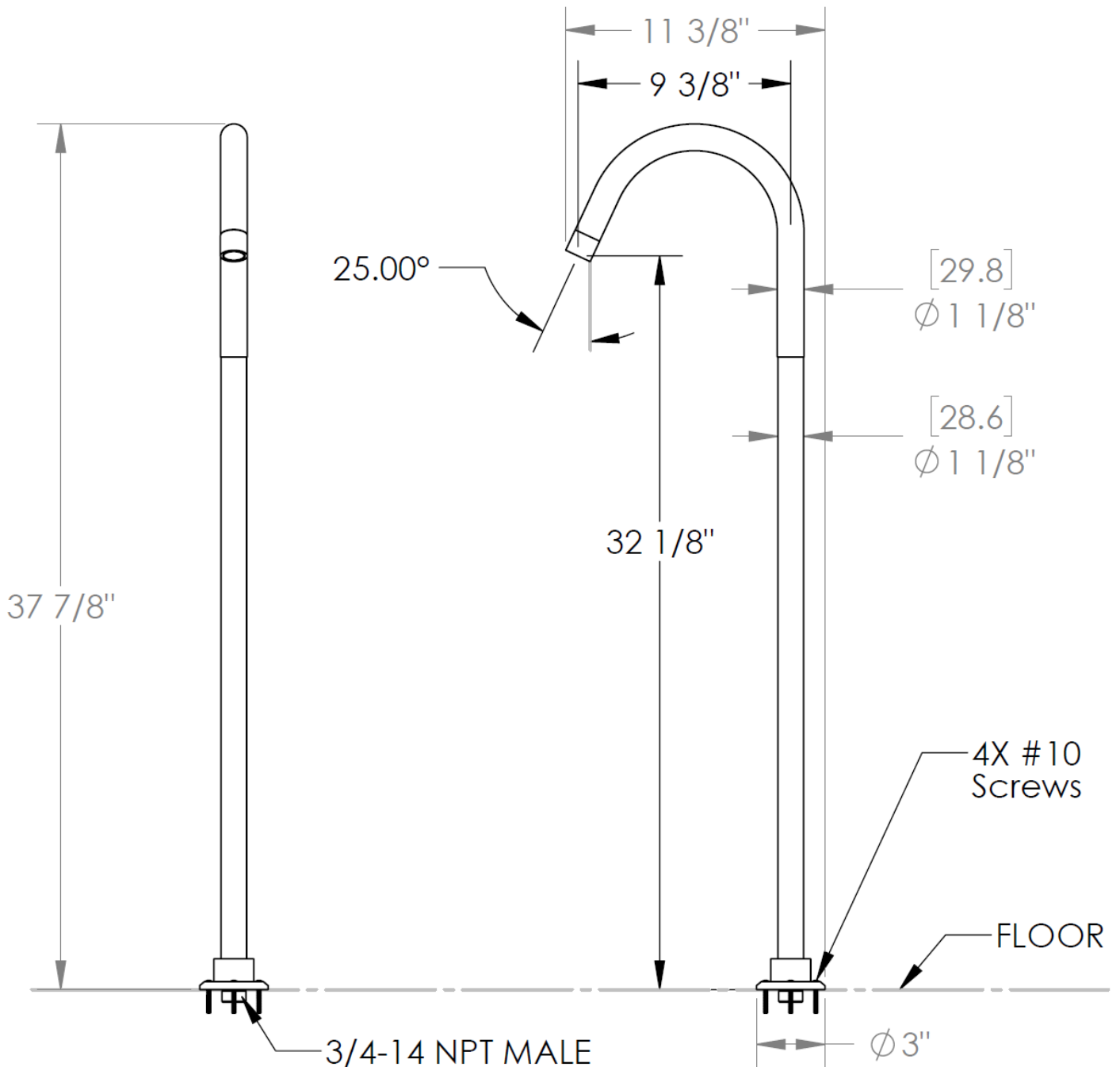
# ROUGH-IN DIMENSIONS

22-FSG/23-FS



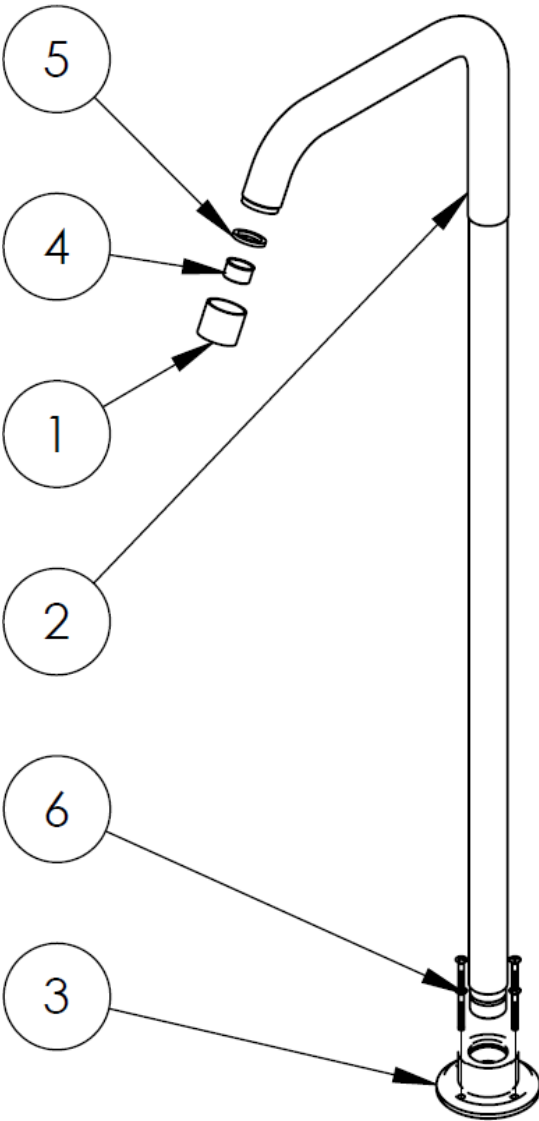
# ROUGH-IN DIMENSIONS

22-FSG/23-FSG



# PART BREAKDOWN

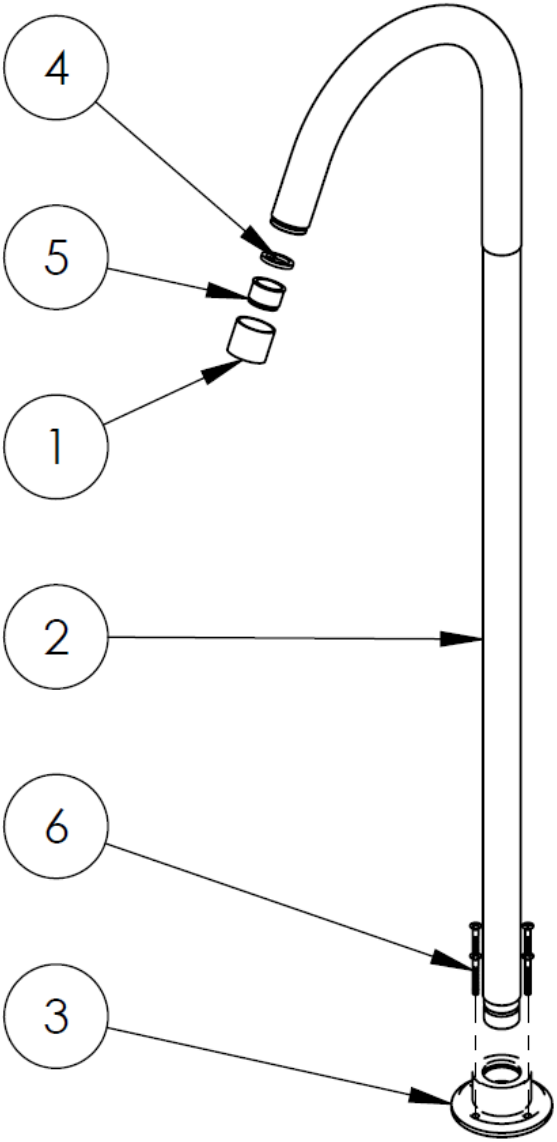
22-FS/23-FS



ITEM NO.	PART NUMBER	QTY.
1	24-8.8-AERTR-SHLL	1
2	FLOOR SPOUT	1
3	BASE FLANGE	1
4	AERATOR GUTS	1
5	RUBBER GASKET	1
6	#10 WOOD SCREW	4

# PART BREAKDOWN

22-FSG/23-FSG



ITEM NO.	PART NUMBER	QTY.
1	24-8.8-AERTR-SHLL	1
2	FLOOR SPOUT	1
3	BASE FLANGE	1
4	RUBBER GASKET	1
5	AERATOR GUTS	1
6	#10 WOOD SCREW	4

# **NOTICE AND DISCLAIMER**

## **TO KEEP THE QUALITY OF THE TUB FILLER PLEASE FOLLOW THESE INSTRUCTIONS**

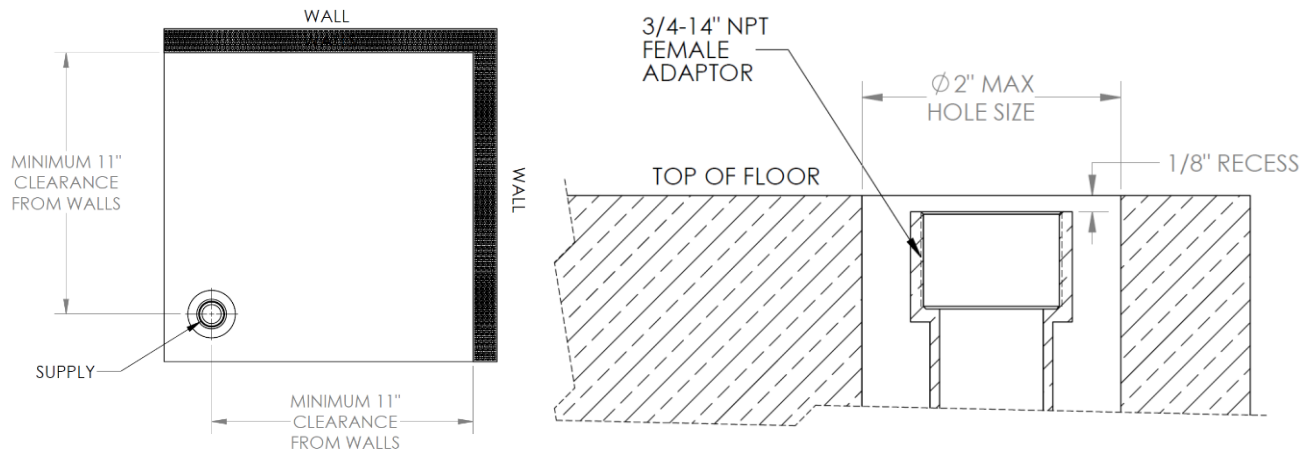
- Rinse the tub filler with water.
- DO NOT use any cleaning agents containing abrasive or coated abrasive materials.
- DO NOT use any cleaning agents containing acids, polish abrasives, or hard cleaners or soaps.

## **IF TUB FILLER REQUIRES REGULATORY OR HEAVY CLEANING, THE FOLLOWING PROCEDURES ARE RECOMMENDED**

1. Clean the tub filler with water.
2. Remove tough surface film and build-up with: SOFT liquid cleaning agents or clear liquid glass cleaners; non-acidic, non-abrasive gentile liquid; fully dissolved powder cleaners mixed according to the manufacturer's directions; or non-abrasive liquid polishers.
3. After cleaning, make sure to fill sufficiently with clear water to completely remove remaining cleaning agents. Then dry with a soft cotton cloth.

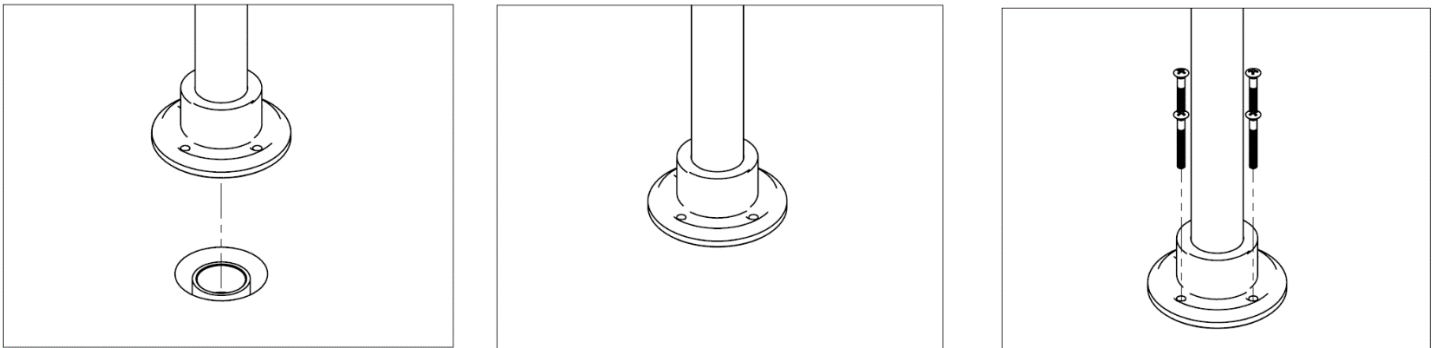
# INSTALLATION STEPS

1



- Select a location for the floor spout. Make sure it is at least 11" away from any walls or fixtures.
- Install a 3/4-14" NPT female adaptor to the supply line. Make sure line is properly strapped.
- Female adaptor must be recessed by 1/8" from the top of the floor surface.
- Maximum hole size for supply is 2".

2



- Screw in the bottom thread of the bath spout into the supply.
- Align the bath spout to the desired direction.
- Thread the base of the bath spout by turning it clockwise until it pinches the floor.
- Using the four holes on the base as a guide, drill 4x pilot holes for the wood screws.
- Screw the 4x screws into the holes to secure the bath spout