



# 24" Undercounter Wine Center

WUW35X24D



Stainless Steel  
WUW35X24DS

## Capacity

Bottle Capacity 51

## General Features & Properties

Towel Bar Handle

Reversible Door

Wood Rack Fronts

Black Cabinet

Door Open Alarm

High Temperature Alarm

## Electrical Details

Amps 15 or 20

Volts 115

## Technical Details

Refrigerator Type Undercounter

Number of Wine Racks 6

Rack Fronts Wood

Lighting Type LED

Control Location Interior Up Front

Installation Option Freestanding or Built-In

## Dimensions

Product Dimensions (H x W x D) 34-1/4" x 23-13/16" x 23-3/4"

Cutout Dimensions (H x W) 34-1/4" x 24-5/8"

## Reference Material

[Dimension Guide](#)

[Use & Care Guide](#)

[Warranty](#)

## Key Features & Benefits

### Single-Temperature Controlled Zone

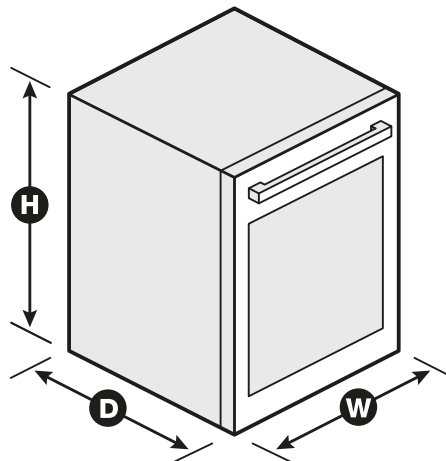
Custom temperature selection allows you to store wine the way you prefer.

### LED Interior Lighting

Keep drinks looking as good as they taste. Light is cast inside so everything looks like it's supposed to.

### Wine Storage

Conveniently store up to 51 bottles of wine in a designated area.



NOTE: Dimensions are for planning purposes only. For complete details, see Installation Instructions packed with product. Specifications subject to change without notice.

®/™ © 2020. All rights reserved. Printed in the U.S.A. D200052XXC. WUW35X24DSPECSHEETV01.