



15" Icemaker

WUI75X15H



Fingerprint-Resistant Stainless
WUI75X15HZ

Capacity

Ice Capacity Storage	25 lbs
----------------------	--------

General Features & Properties

Fingerprint Resistant

Self-Cleaning Cycle

Clear Ice Technology

Ice Scoop

Easy Access Filter Install

Reversible Door

Electronic Touch Controls

LED Interior Lighting

Electrical Details

Amps	15 or 20
------	----------

Volts	115/120
-------	---------

Technical Details

Icemaker Type	Freestanding or Built-In
---------------	--------------------------

Control Location	Interior Up Front
------------------	-------------------

Ice Capacity Storage (lbs)	25
----------------------------	----

Drain Pump	Gravity Drain
------------	---------------

Installation Option	Flush
---------------------	-------

Lighting Type	LED
---------------	-----

Dimensions

Product Dimensions (H x W x D)	34-1/16" x 14-7/8" x 25-3/8"
--------------------------------	------------------------------

Depth with Door Open 90°	36-7/8"
--------------------------	---------

Cutout Dimensions (H x W x D)	34-1/2" x 15" x 25"
-------------------------------	---------------------

Reference Material

[Dimension Guide](#)

[Install Guide](#)

[Use & Care Guide](#)

[Warranty](#)

Also available in:

White **WUI75X15HW**

Black **WUI75X15HB**

Key Features & Benefits

Undercounter or Freestanding Installation

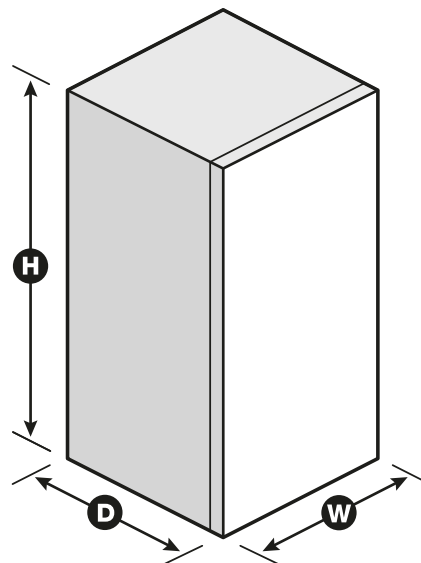
Put this icemaker more places with a venting system that allows for installation either under a counter or on its own.

Fast Ice Option

Always have enough ice with a setting that speeds up ice production.

25-lb Capacity

Keep up to 25 pounds of fresh ice on hand with a large capacity bin.



NOTE: Dimensions are for planning purposes only. For complete details, see Installation Instructions packed with product. Specifications subject to change without notice.

®/™ © 2020. All rights reserved. Printed in the U.S.A. D200052XXC. WUI75X15HSPECSHEETV01.