



# 19 cu. ft. Top-Freezer Refrigerator

WRT549SZD



Monochromatic Stainless Steel  
WRT549SZDM

### Also available in:



White

WRT549SZDW



Black

WRT549SZDB

### Capacity

Total Capacity	19 cu. ft.
Refrigerator Capacity	14 cu. ft.
Freezer Capacity	5 cu. ft.

### General Features & Properties

Clear Door Bins

EZ Connect Icemaker Kit

LED Interior Lighting

Electronic Temperature Controls

Freezer Temperature Controls

Adjustable Door Bins

ADA Compliant

#1 Selling Appliance Brand in the U.S.A.\*

### Electrical Details

Amps	6.5
Volts	115

### Certifications

ADA Compliant	Yes
ENERGY STAR® Certified	Yes

### Technical Details

Refrigerator Type	Top-Freezer
Number of Doors	2
Number of Interior Refrigerator Shelves	3
Number of Refrigerator Door Bins	1 Fixed, 4 Adjustable
Number of Interior Freezer Shelves	1
Number of Freezer Door Bins	2 Fixed
Lighting Type	LED
Ice Maker	Optional
Ice Maker Location	Freezer
Dispenser Type	N/A

### Dimensions

Product Dimensions (H x W x D)	65-7/8" x 29-3/4" x 34-1/2"
Depth with Door Open 90°	59-7/8"
Cutout Dimensions	Allow extra 1/2" on sides and top Allow extra 1" on rear

### Reference Material

[Dimension Guide](#)

[Use & Care Guide](#)

[Energy Guide](#)

[Warranty](#)

### Key Features & Benefits

#### Flexi-Slide™ Bin

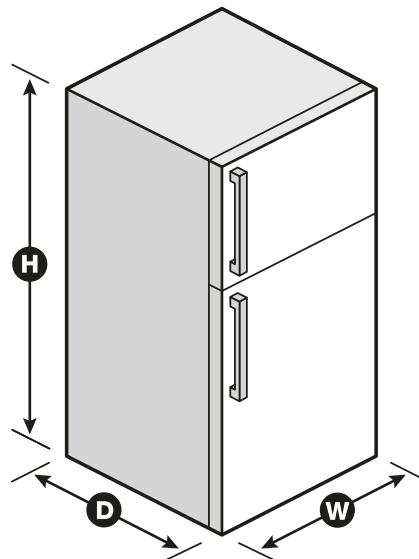
Make space for tall items with the bin that quickly and easily moves side to side.

#### Quiet Cooling

Keep noise down in the kitchen with quiet cooling.

#### ENERGY STAR® Certified

ENERGY STAR® certified models help save money on your utility bills.



\*Based on 12-month average of unit sales. Refrigeration, Cooking, Dishwashers and Laundry appliances. TraQline 2018. NOTE: Dimensions are for planning purposes only. For complete details, see Installation Instructions packed with product. Specifications subject to change without notice. ®/™ © 2020. All rights reserved. Printed in the U.S.A. D200052XXC. WRT549SZDSPECSHEETV01.