



21 cu. ft. Top-Freezer Refrigerator

WRT541SZD



Fingerprint-Resistant Stainless
WRT541SZDZ

Also available in:

- White **WRT541SZDW**
- Black **WRT541SZDB**
- Monochromatic Stainless Steel **WRT541SZDM**

Capacity

Total Capacity	21 cu. ft.
Refrigerator Capacity	15 cu. ft.
Freezer Capacity	6 cu. ft.

General Features & Properties

EZ Connect Icemaker Kit
LED Interior Lighting
ENERGY STAR® Certified
Electronic Temperature Controls
Freezer Temperature Controls
Clear Door Bins
Adjustable Door Bins
Quiet Cooling
Fingerprint Resistant

Electrical Details

Amps	6.5
Volts	115

Certifications

ADA Compliant	Yes
ENERGY STAR® Certified	Yes

Technical Details

Refrigerator Type	Top-Freezer
Number of Doors	2
Number of Interior Refrigerator Shelves	3
Number of Refrigerator Door Bins	1 Fixed, 4 Adjustable
Number of Interior Freezer Shelves	1
Number of Freezer Door Bins	2 Fixed
Lighting Type	LED
Ice Maker	Optional
Ice Maker Location	Freezer
Dispenser Type	N/A

Dimensions

Product Dimensions (H x W x D)	66-1/4" x 32-3/4" x 34"
Depth with Door Open 90°	62-1/4"
Cutout Dimensions	Allow extra 1/2" on sides and top Allow extra 1" on rear

Reference Material

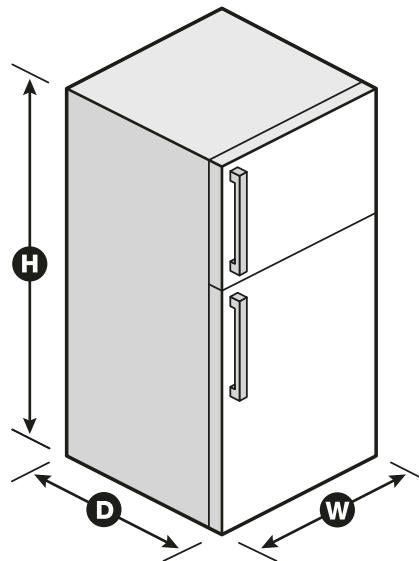
- [Dimension Guide](#)
- [Use & Care Guide](#)
- [Energy Guide](#)
- [Warranty](#)

Key Features & Benefits

Frameless Glass Shelves
Store more items on wall-to-wall shelves for greater storage flexibility.

Flexi-Slide™ Bin
Make space for tall items with the bin that quickly and easily moves side to side.

Humidity-Controlled Crispers
Store fruits and vegetables in their ideal environment.



NOTE: Dimensions are for planning purposes only. For complete details, see Installation Instructions packed with product. Specifications subject to change without notice.

®/™ © 2020. All rights reserved. Printed in the U.S.A. D200052XXC. WRT541SZDSPECSHEETV01.