



21 cu. ft. Top-Freezer Refrigerator

WRT511SZD



Monochromatic Stainless Steel
WRT511SZDM

Also available in:

- White **WRT511SZDW**
- Black **WRT511SZDB**

Capacity

| | |
|-----------------------|------------|
| Total Capacity | 21 cu. ft. |
| Refrigerator Capacity | 15 cu. ft. |
| Freezer Capacity | 6 cu. ft. |

General Features & Properties

| |
|-------------------------------------------|
| Adjustable Door Bins |
| EZ Connect Icemaker Kit |
| Electronic Temperature Controls |
| Freezer Temperature Controls |
| Clear Door Bins |
| ADA Compliant |
| #1 Selling Appliance Brand in the U.S.A.* |

Electrical Details

| | |
|-------|-----|
| Amps | 6.5 |
| Volts | 115 |

Certifications

| | |
|---------------|-----|
| ADA Compliant | Yes |
|---------------|-----|

Technical Details

| | |
|-----------------------------------------|-----------------------|
| Refrigerator Type | Top-Freezer |
| Number of Doors | 2 |
| Number of Interior Refrigerator Shelves | 3 |
| Number of Refrigerator Door Bins | 1 Fixed, 4 Adjustable |
| Number of Interior Freezer Shelves | 1 |
| Number of Freezer Door Bins | 2 |
| Lighting Type | LED |
| Ice Maker | Optional |
| Ice Maker Location | Freezer |
| Dispenser Type | N/A |

Dimensions

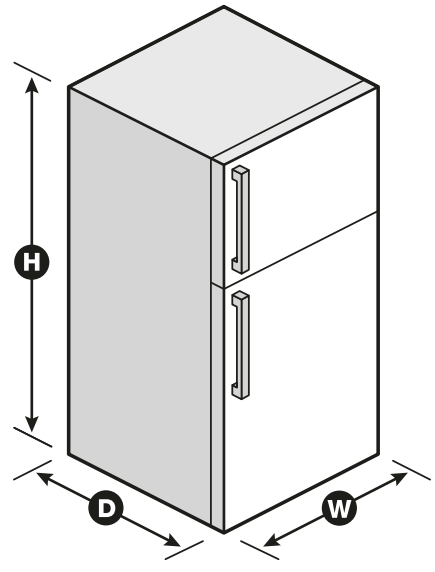
| | |
|--------------------------------|-------------------------------------------------------------|
| Product Dimensions (H x W x D) | 66-1/4" x 32-3/4" x 34" |
| Depth with Door Open 90° | 62-1/4" |
| Cutout Dimensions | Allow extra 1/2" on sides and top Allow extra 1" on rear |

Reference Material

- [Dimension Guide](#)
- [Use & Care Guide](#)
- [Energy Guide](#)
- [Warranty](#)

Key Features & Benefits

- Flexi-Slide™ Bin**
Make space for tall items with the bin that quickly and easily moves side to side.
- LED Interior Lighting**
Keep food looking as good as it tastes.
- Quiet Cooling**
Keep noise down in the kitchen with quiet cooling.



*Based on 12-month average of unit sales. Refrigeration, Cooking, Dishwashers and Laundry appliances. TraQline 2018. NOTE: Dimensions are for planning purposes only. For complete details, see Installation Instructions packed with product. Specifications subject to change without notice. ©/™ © 2020. All rights reserved. Printed in the U.S.A. D200052XXC. WRT511SZDSPECSHEETV01.