



16 cu. ft. Top-Freezer Refrigerator

WRT316SFD



Monochromatic Stainless Steel
WRT316SFD

Capacity

Total Capacity	16 cu. ft.
Refrigerator Capacity	12 cu. ft.
Freezer Capacity	4 cu. ft.

General Features & Properties

Freezer Temperature Controls

#1 Selling Appliance Brand in the U.S.A.*

Electrical Details

Amps	6.5
Volts	115

Technical Details

Refrigerator Type	Top-Freezer
Number of Doors	2
Number of Interior Refrigerator Shelves	3
Number of Refrigerator Door Bins	3 Fixed
Number of Interior Freezer Shelves	1
Number of Freezer Door Bins	2 Fixed
Lighting Type	Incandescent
Ice Maker	Optional
Ice Maker Location	Freezer
Dispenser Type	N/A

Dimensions

Product Dimensions (H x W x D)	66" x 28-1/8" x 30-3/8"
Depth with Door Open 90°	54-3/8"
Cutout Dimensions	Allow extra 1/2" on sides and top Allow extra 1" on rear

Reference Material

[Dimension Guide](#)

[Use & Care Guide](#)

[Energy Guide](#)

[Warranty](#)

Also available in:

White **WRT316SFDW**

Black **WRT316SFD**

Key Features & Benefits

Flexi-Slide™ Bin

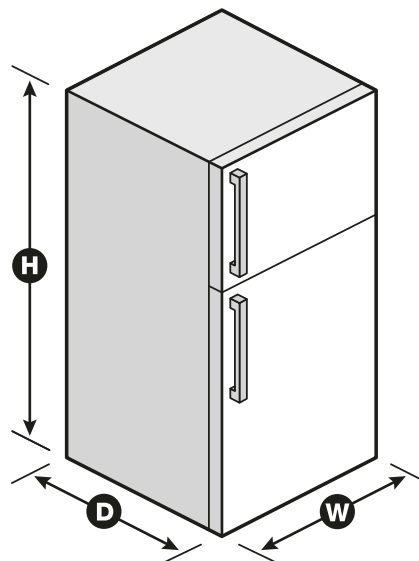
Make space for tall items with the bin that quickly and easily moves side to side.

Optional Icemaker

Don't worry about refilling ice trays when you have this optional icemaker installed.

Quiet Cooling

Keep noise down in the kitchen with quiet cooling.



*Based on 12-month average of unit sales. Refrigeration, Cooking, Dishwashers and Laundry appliances. TraQline 2018. NOTE: Dimensions are for planning purposes only. For complete details, see Installation Instructions packed with product. Specifications subject to change without notice. ©/™ © 2020. All rights reserved. Printed in the U.S.A. D200052XXC. WRT316SFDSPESHEETV01.