



20 cu. ft. Top-Freezer Refrigerator

WRT311FZD



Fingerprint-Resistant Stainless
WRT311FZDZ

Also available in:

- White **WRT311FZDW**
- Black **WRT311FZDB**
- Biscuit **WRT311FZDT**
- Monochromatic Stainless Steel **WRT311FZDM**

Key Features & Benefits

Frameless Glass Shelves

Store more items on wall-to-wall shelves for greater storage flexibility.

Flexi-Slide™ Bin

Make space for tall items with the bin that quickly and easily moves side to side.

Humidity-Controlled Crispers

Store fruits and vegetables in their ideal environment.

Capacity

Total Capacity	20 cu. ft.
Refrigerator Capacity	14 cu. ft.
Freezer Capacity	6 cu. ft.

General Features & Properties

EZ Connect Icemaker Kit

LED Interior Lighting

Electronic Temperature Controls

Freezer Temperature Controls

Quiet Cooling

Fingerprint Resistant

ADA Compliant

#1 Selling Appliance Brand in the U.S.A.*

Electrical Details

Amps	15 or 20
Volts	115

Certifications

ADA Compliant	Yes
---------------	-----

Technical Details

Refrigerator Type	Top-Freezer
Number of Doors	2
Number of Interior Refrigerator Shelves	3
Number of Refrigerator Door Bins	2 Fixed, 3 Adjustable
Number of Interior Freezer Shelves	1
Number of Freezer Door Bins	2
Lighting Type	LED
Ice Maker	Optional
Ice Maker Location	Freezer
Dispenser Type	N/A

Dimensions

Product Dimensions (H x W x D)	66-1/4" x 32-3/4" x 32-7/8"
Depth with Door Open 90°	62-1/4"
Cutout Dimensions	Allow extra 1/2" on sides and top Allow extra 1" on rear

Reference Material

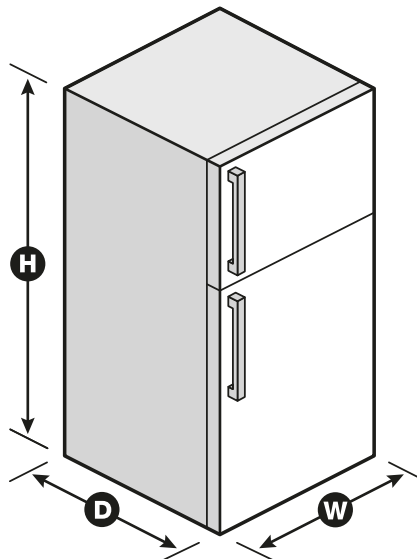
[Dimension Guide](#)

[Install Guide](#)

[Use & Care Guide](#)

[Energy Guide](#)

[Warranty](#)



*Based on 12-month average of unit sales. Refrigeration, Cooking, Dishwashers and Laundry appliances. TraQline 2018. NOTE: Dimensions are for planning purposes only. For complete details, see Installation Instructions packed with product. Specifications subject to change without notice. ®/™ © 2020. All rights reserved. Printed in the U.S.A. D200052XXC. WRT311FZDSPECSHEETV01.