



18 cu. ft. Top-Freezer Refrigerator

WRT148FZD



Monochromatic Stainless Steel
WRT148FZDM

Capacity

Total Capacity	18 cu. ft.
Refrigerator Capacity	13 cu. ft.
Freezer Capacity	5 cu. ft.

General Features & Properties

EZ Connect Icemaker Kit Compatible	
ENERGY STAR® Certified	

Electrical Details

Amps	15 or 20
Volts	115

Certifications

ADA Compliant	Yes
ENERGY STAR® Certified	Yes

Technical Details

Refrigerator Type	Top-Freezer
Number of Doors	2
Number of Interior Refrigerator Shelves	3
Number of Refrigerator Door Bins	5 Fixed
Number of Interior Freezer Shelves	1
Number of Freezer Door Bins	2 Fixed
Lighting Type	Incandescent
Ice Maker	Optional
Ice Maker Location	Freezer
Dispenser Type	N/A

Dimensions

Product Dimensions (H x W x D)	65-7/8" x 29-3/4" x 33-1/2"
Depth with Door Open 90°	59-3/4"
Cutout Dimensions	Allow extra 1/2" on sides and top Allow extra 1" on rear

Reference Material

[Dimension Guide](#)

[Use & Care Guide](#)

[Energy Guide](#)

[Warranty](#)

Also available in:

- White **WRT148FZDW**
- Black **WRT148FZDB**

Key Features & Benefits

Frameless Glass Shelves

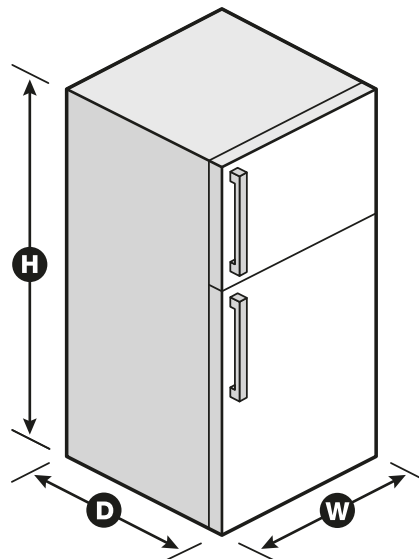
Store more items on wall-to-wall shelves for greater storage flexibility.

Electronic Temperature Control

Choose the ideal temperature for whatever foods you're storing with up-front controls.

Clear, Humidity-Controlled Crispers

Store fruits and vegetables in their ideal environment.



NOTE: Dimensions are for planning purposes only. For complete details, see Installation Instructions packed with product. Specifications subject to change without notice.

®/™ © 2020. All rights reserved. Printed in the U.S.A. D200052XXC. WRT148FZDSPECSHEETV01.