



25 cu. ft. Side-by-Side Refrigerator

WRS335SDH



Monochromatic Stainless Steel
WRS335SDHM

Also available in:

- White **WRS335SDHW**
- Black **WRS335SDHB**

Capacity

Total Capacity	25 cu. ft.
Refrigerator Capacity	15 cu. ft.
Freezer Capacity	10 cu. ft.

General Features & Properties

- ENERGY STAR® Certified
- Exterior Ice and Water Dispenser with EveryDrop® Water Filtration
- Tap Touch Controls
- Hidden Hinges
- Electronic Temperature Controls
- Factory-Installed Ice Maker
- Adaptive Defrost
- LED Dispenser Night-Light
- Humidity-Controlled Crispers

Electrical Details

Amps	10
Volts	120

Certifications

ADA Compliant	Yes
ENERGY STAR® Certified	Yes

Technical Details

Refrigerator Type	Side-by-Side
Number of Doors	2
Number of Interior Refrigerator Shelves	4
Number of Refrigerator Door Bins	2 Fixed, 3 Adjustable
Number of Interior Freezer Shelves	3
Number of Freezer Door Bins	4 Fixed
Lighting Type	LED
Ice Maker	Factory Installed
Ice Maker Location	Freezer
Dispenser Type	Exterior Ice and Water

Dimensions

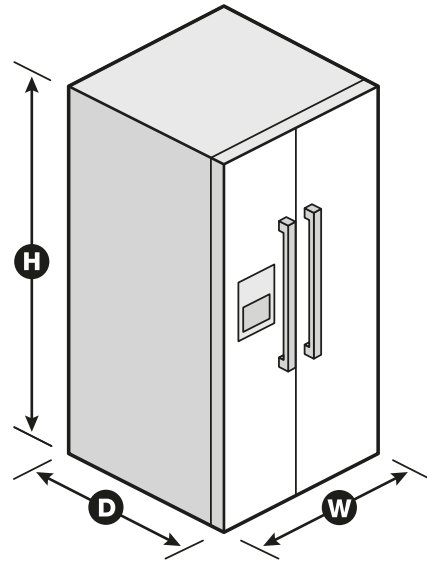
Product Dimensions (H x W x D)	69-5/8" x 35-7/8" x 33-5/8"
Depth with Door Open 90°	49-5/16"
Cutout Dimensions	Allow extra 1/2" on sides and top Allow extra 1" on rear

Reference Material

- [Dimension Guide](#)
- [Install Guide](#)
- [Energy Guide](#)
- [Warranty](#)

Key Features & Benefits

- Frameless Glass Shelves**
Store more items on each shelf with wall-to-wall frameless glass shelves, which offer greater storage flexibility.
- Adjustable Gallon Door Bins**
Move these adjustable bins anywhere in the door for increased loading flexibility when and where you need it.
- LED Interior Lighting**
Keep food looking as good as it tastes. Light is cast inside the refrigerator so food looks like it's supposed to.



NOTE: Dimensions are for planning purposes only. For complete details, see Installation Instructions packed with product. Specifications subject to change without notice.
 ®/™ © 2020. All rights reserved. Printed in the U.S.A. D200052XXC. WRS335SDHSPECSHEETV01.