



25 cu. ft. Side-by-Side Refrigerator

WRS325SDH



Fingerprint-Resistant Stainless
WRS325SDHZ

Also available in:

- White **WRS325SDHW**
- Black **WRS325SDHB**
- Fingerprint-Resistant Black Stainless **WRS325SDHV**

Capacity

Total Capacity	25 cu. ft.
Refrigerator Capacity	15 cu. ft.
Freezer Capacity	10 cu. ft.

General Features & Properties

Deli Drawer
Exterior Ice and Water Dispenser with EveryDrop® Water Filtration
LED Interior Lighting
Tap Touch Controls
Hidden Hinges
Electronic Temperature Controls
Fingerprint Resistant
Factory-Installed Icemaker
Adaptive Defrost

Electrical Details

Amps	15 or 20
Volts	115

Certifications

ADA Compliant	Yes
---------------	-----

Technical Details

Refrigerator Type	Side-by-Side
Number of Doors	2
Number of Interior Refrigerator Shelves	4
Number of Refrigerator Door Bins	2 Fixed, 3 Adjustable
Number of Interior Freezer Shelves	3
Number of Freezer Door Bins	4 Fixed
Lighting Type	LED
Ice Maker	Factory Installed
Ice Maker Location	Freezer
Dispenser Type	Exterior Ice and Water

Dimensions

Product Dimensions (H x W x D)	69-5/8" x 35-7/8" x 33-5/8"
Depth with Door Open 90°	49-5/16"
Cutout Dimensions	Allow extra 1/2" on sides and top Allow extra 1" on rear

Reference Material

- [Dimension Guide](#)
- [Install Guide](#)
- [Use & Care Guide](#)
- [Energy Guide](#)
- [Warranty](#)

Key Features & Benefits

Can Caddy

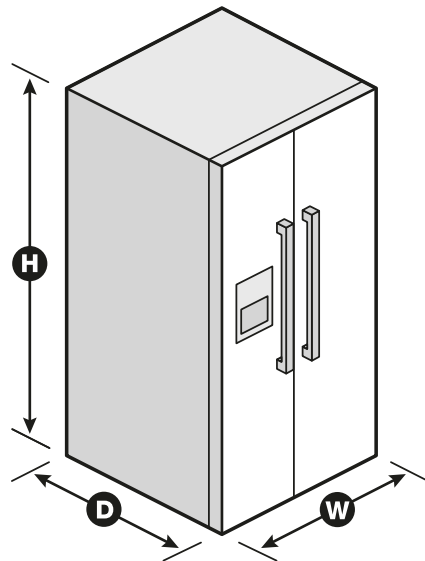
Free up shelf space and get more flexibility using this in-door can caddy that holds either cans or bottles.

Frameless Glass Shelves

Store more items on each shelf with wall-to-wall frameless glass shelves, which offer greater storage flexibility.

Adjustable Gallon Door Bins

Move these adjustable bins anywhere in the door for increased loading flexibility when and where you need it.



NOTE: Dimensions are for planning purposes only. For complete details, see Installation Instructions packed with product. Specifications subject to change without notice.

®/™ © 2020. All rights reserved. Printed in the U.S.A. D200052XXC. WRS325SDHSPECSHEETV01.