



# 25 cu. ft. French Door Refrigerator

WRF555SDH



Fingerprint-Resistant Black Stainless  
WRF555SDHV

### Also available in:



White

WRF555SDHW



Black

WRF555SDHB

### Capacity

|                       |            |
|-----------------------|------------|
| Total Capacity        | 25 cu. ft. |
| Refrigerator Capacity | 18 cu. ft. |
| Freezer Capacity      | 7 cu. ft.  |

### General Features & Properties

Two-Tier Freezer Storage

Fingerprint Resistant

ENERGY STAR® Certified

Adjustable Gallon Door Bins

Tap Touch Controls

25 cu. ft. Capacity

Dispenser Control Lock

#1 Selling Appliance Brand in the U.S.A.\*

### Electrical Details

|       |     |
|-------|-----|
| Amps  | 20  |
| Volts | 115 |

### Certifications

|                        |     |
|------------------------|-----|
| ENERGY STAR® Certified | Yes |
|------------------------|-----|

### Technical Details

|   |                        |
|---|------------------------|
| Refrigerator Type                       | French Door            |
| Number of Doors                         | 3                      |
| Number of Interior Refrigerator Shelves | 5                      |
| Number of Refrigerator Door Bins        | 3 Adjustable, 3 Fixed  |
| Number of Interior Freezer Shelves      | 1 Plastic, 1 Wire      |
| Lighting Type                           | LED                    |
| Ice Maker                               | Factory Installed      |
| Ice Maker Location                      | Refrigerator           |
| Dispenser Type                          | Exterior Ice and Water |

### Dimensions

|                                |   |
|--------------------------------|---|
| Product Dimensions (H x W x D) | 70-1/4" x 35-5/8" x 35-1/4"                                 |
| Depth with Door Open 90°       | 48"   |
| Cutout Dimensions              | Allow extra 1/2" on sides and top<br>Allow extra 1" on rear |

### Reference Material

[Dimension Guide](#)

[Use & Care Guide](#)

[Energy Guide](#)

[Warranty](#)

### Key Features & Benefits

#### Exterior Ice and Water Dispenser with EveryDrop® Filtration

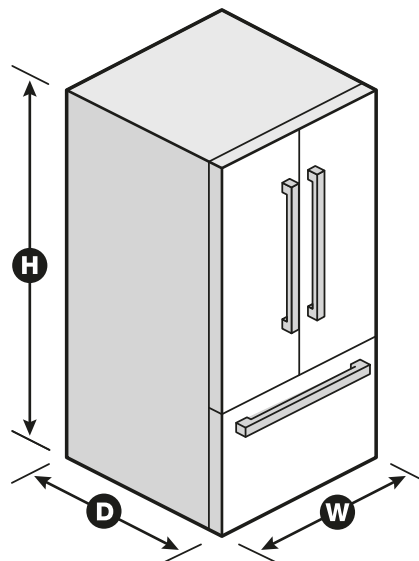
Access fresh filtered water and ice without ever opening the refrigerator door.

#### Spillproof Shelves

Help contain leaks and spills for easier cleanup with these spillproof glass shelves.

#### Humidity-Controlled Double Crisper

Get the room you need to store fruits and vegetables in their ideal environment.



\*Based on 12-month average of unit sales. Refrigeration, Cooking, Dishwashers and Laundry appliances. TraQline 2018. NOTE: Dimensions are for planning purposes only. For complete details, see Installation Instructions packed with product. Specifications subject to change without notice. ®/™ © 2020. All rights reserved. Printed in the U.S.A. D200052XXC. WRF555SDHSPECSHEETV01.