



# 25 cu. ft. French Door Refrigerator

## WRF555SDF



Fingerprint-Resistant Stainless  
WRF555SDFZ

### Key Features & Benefits

#### Exterior Ice and Water Dispenser with EveryDrop® Filtration

Access fresh filtered water and ice without ever opening the refrigerator door.

#### Spillproof Shelves

Help contain leaks and spills for easier cleanup with these spillproof glass shelves.

#### Humidity-Controlled Double Crisper

Get the room you need to store fruits and vegetables in their ideal environment.

### Capacity

Total Capacity	25 cu. ft.
Refrigerator Capacity	18 cu. ft.
Freezer Capacity	7 cu. ft.

### General Features & Properties

Two-Tier Freezer Storage

Fingerprint Resistant

ENERGY STAR® Certified

Adjustable Gallon Door Bins

Tap Touch Controls

25 cu. ft. Capacity

Dispenser Control Lock

#1 Selling Appliance Brand in the U.S.A.\*

### Electrical Details

Amps	20
Volts	115

### Certifications

ENERGY STAR® Certified	Yes
------------------------	-----

### Technical Details

Refrigerator Type	French Door
Number of Doors	3
Number of Interior Refrigerator Shelves	5
Number of Refrigerator Door Bins	3 Adjustable, 3 Fixed
Number of Interior Freezer Shelves	1 Plastic, 1 Wire
Lighting Type	LED
Ice Maker	Factory Installed
Ice Maker Location	Refrigerator
Dispenser Type	Exterior Ice and Water

### Dimensions

Product Dimensions (H x W x D)	70-1/8" x 35-5/8" x 35-1/4"
Depth with Door Open 90°	48"
Cutout Dimensions	Allow extra 1/2" on sides and top Allow extra 1" on rear

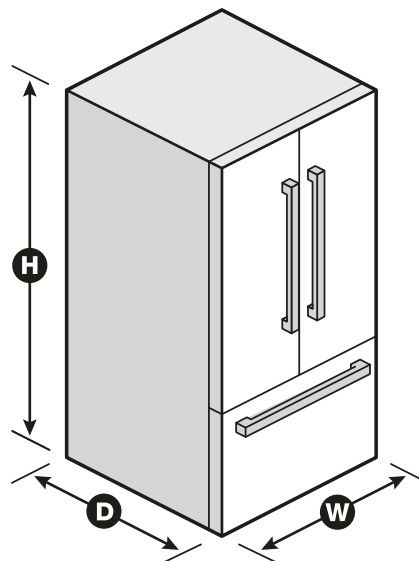
### Reference Material

[Dimension Guide](#)

[Use & Care Guide](#)

[Energy Guide](#)

[Warranty](#)



\*Based on 12-month average of unit sales. Refrigeration, Cooking, Dishwashers and Laundry appliances. TraQline 2018. NOTE: Dimensions are for planning purposes only. For complete details, see Installation Instructions packed with product. Specifications subject to change without notice. ©/™ © 2020. All rights reserved. Printed in the U.S.A. D200052XXC. WRF555SDFSPECSHEETV01.