



10.0 cu. ft. Smart Double Wall Oven

WOD77EC0H



Stainless Steel
WOD77EC0HS

Also available in:

- White **WOD77EC0HW**
- Black **WOD77EC0HB**
- Black Stainless **WOD77EC0HV**

Capacity

Oven	10.0 cu. ft.
------	--------------

General Features & Properties

Touchscreen

Voice control with a compatible voice-enabled device**

Fingerprint Resistant

Frozen Bake™ Technology

Multi-Step Cooking

True Convection Cooking

Convection Conversion

Steam Clean option

Scan-to-Connect technology

Electrical Details

Amps	40
------	----

Volts	240
-------	-----

Certifications

Connected/Smart Appliance	Yes
---------------------------	-----

Star-K Certified/Kosher	Yes
-------------------------	-----

Technical Details

Fuel Type	Electric
-----------	----------

Oven Type	Double
-----------	--------

Oven Cooking System	Convection Both Ovens
---------------------	-----------------------

Number of Oven Racks	2 Lower Oven 3 Upper Oven
----------------------	------------------------------

Cleaning Type	Self-Cleaning
---------------	---------------

Dimensions

Product Dimensions (H x W x D)	51-1/2" x 30" x 26-7/16"
--------------------------------	--------------------------

Depth with Door Open 90°	42-3/4"
--------------------------	---------

Cutout Dimensions (H x W x D)	50-1/4" x 28-1/2" x 24"
-------------------------------	-------------------------

Reference Material

[Install Guide](#)

[Use & Care Guide](#)

[Energy Guide](#)

[Warranty](#)

Key Features & Benefits

Smart Appliance

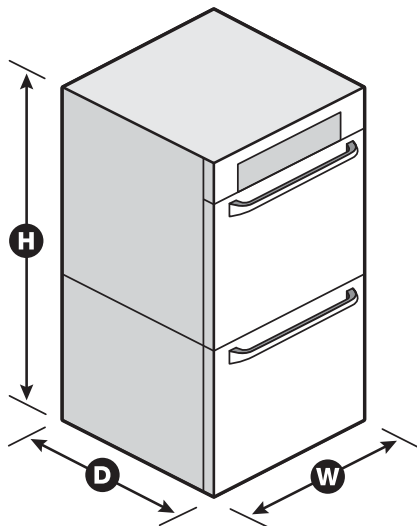
Care smarter with connected features that let you send cooking instructions to the oven from your smartphone, control your kitchen with voice commands using a compatible voice-enabled device* or skip preheating.

Scan-to-Cook Technology**

Get the right settings every time. Scan a frozen food barcode with your smartphone or tablet and send recommended or customized cooking instructions straight to your oven for dinner done the way your family wants it.

Yummly® Guided Cooking**

Prompts in the app even send cooking instructions straight to your Whirlpool® smart wall oven† at the right times, so dinner's ready when your family's hungry.



*Appliance must be set to remote enable. WiFi & App Required. Features subject to change. Details and privacy info at whirlpool.com/connect. **U.S. Only. †Select recipes only. Compatible smart appliance required. Appliance must be set to remote enable. Features subject to change. For details and privacy statements, visit whirlpool.com/connect and yummly.com/privacy. NOTE: Dimensions are for planning purposes only. For complete details, see Installation Instructions packed with product. Specifications subject to change without notice.